

## EYCN 01

*Design: Norah Creative Lab FM*



### *Description*

The EYCN 01 oval freestanding sink by Norah Design is a definitive statement of sculptural luxury, designed to act as a luminous totem within the modern wellness space. Its soft, elongated silhouette offers a sophisticated departure from traditional circular basins, providing an organic elegance that highlights the extraordinary visual depth of the brand's proprietary materials.

### *Finishes & Materials*

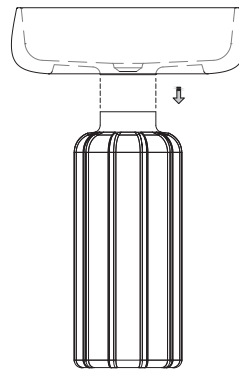
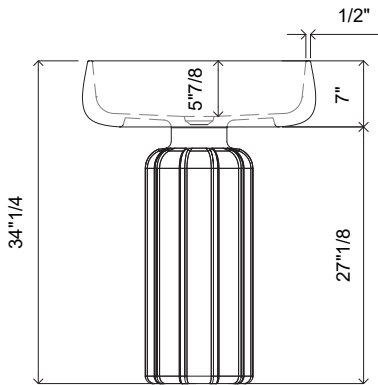
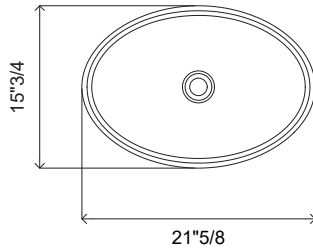
**Structure:** Crystal.  
**Cover drain:** Acrylic.

EYCN 01

---

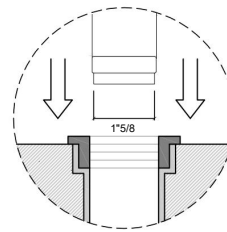
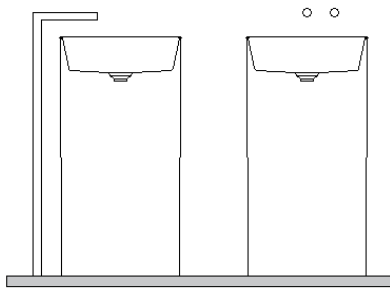
## Dimensions

21"5/8W x 15"3/4D x 34"1/4H



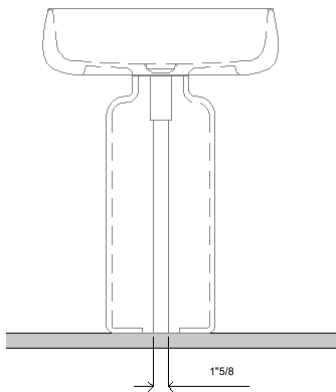
EYCN 01

## CONFIGURATION



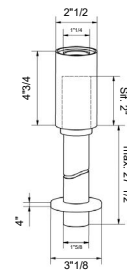
Prepare the floor drain for a  
1"5/8 (40mm) tube

**Siphone for all product**  
Siphon in brass 1"5/8 (40mm) drain tube (floor version)



Floor drain version

Wall drain version not available



Siphon for floor drain in brass