

ISBA 01

Design: Danilo Fedeli



Description

The ISBA 01 round countertop washbasin by Norah Design is a refined expression of contemporary wellness, designed to bring a sense of weightless luxury to the bathroom vanity. This basin serves as a luminous focal point, where the clean geometry of the circular form meets the pioneering material research of the brand.

Finishes & Materials

Washbasin: Crystal.

Cover drain: Acrylic.

Fittings: Stainless steel.

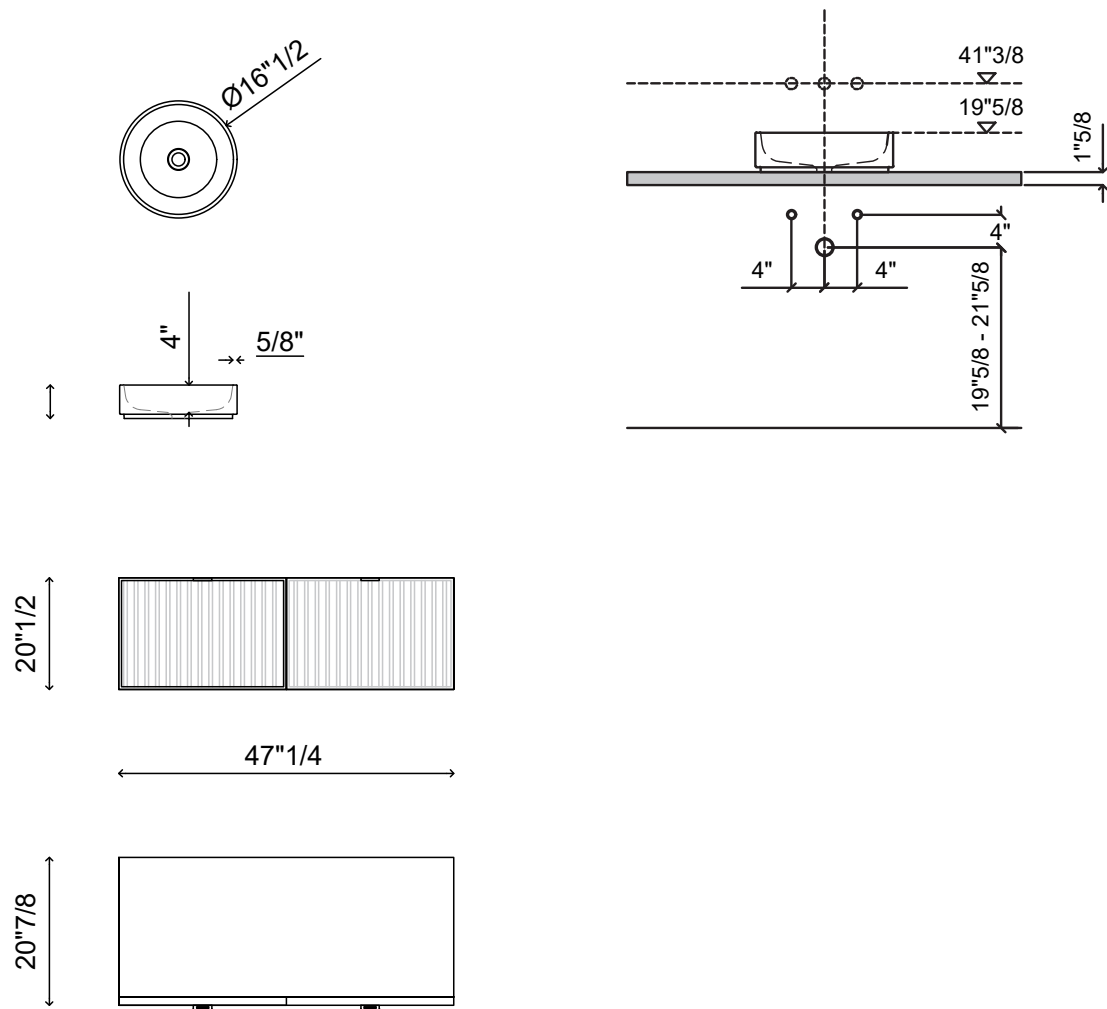
Cabinet: Lacquer or wood.

ISBA 01

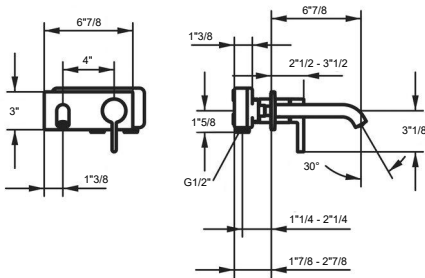
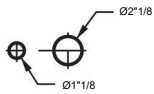
Dimensions

Washbasin: $\text{Ø}16\text{"}1/2 \times 4\text{"}3/4\text{H}$

Wooden Cabinet + 2 washbasin: $47\text{"}1/4\text{W} \times 20\text{"}7/8\text{D} \times 20\text{"}1/2\text{H}$



ISBA 01



- * Trim kit Lever mixer
- * EcoProtect - water-saving device
- * Fixed spout
- Neoperf® Caché® CS, Coin Slot
- * OptimalSpace - ample space for washing or working
- * KWC cartridge M 35 H

- with ceramic discs
- flow rate and temperature continuously variable
- * To be ordered separately:
- Unit for concealed installation 1/2" 39.001.401.931
- * To be ordered separately (optional or if necessary):
- Extension set 20 mm Z.536.333

Technical Data

Flow rate	5 l/min (3 bar)
Spout	fixed
Diameter	173 x 74
Handling	front lever
Color code	chrome
Installation_type	Wall mounted
Faucet_typ	Lever mixer
G_Acoustic group	I
Concealed_unit	Trim kit
Projection_A	A 225
Energy Label	A
material	Brass