

## RNBA 03

*Design: Norah Creative Lab FM*



### *Description*

The RNBA 03 round countertop washbasin by Norah Design is a sophisticated architectural element designed to anchor the contemporary vanity with its perfect circular geometry. This model emphasizes a balanced ratio between height and diameter, creating a generous internal volume that enhances the daily washing ritual while maintaining a slim, elegant presence on the countertop.

### *Finishes & Materials*

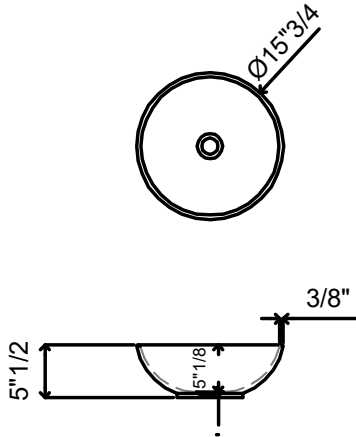
**Structure:** Acrylic.

**Cover drain:** Acrylic.

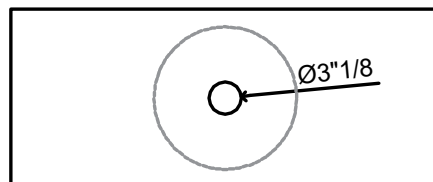
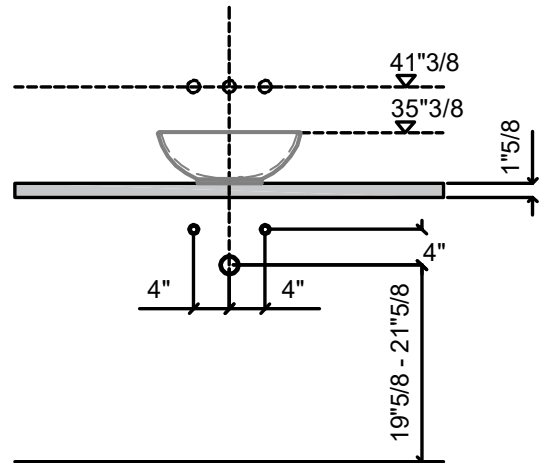
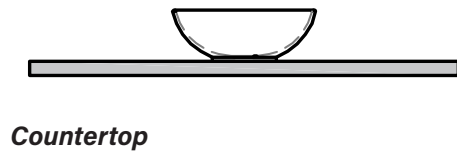
RNBA 03

## Dimensions

Ø15"3/4 x 5"1/2H

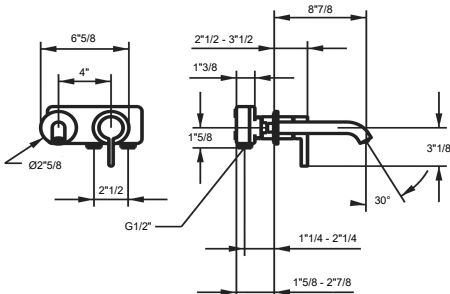
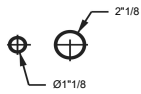
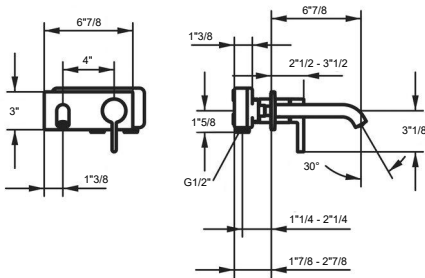
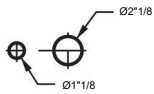


## CONFIGURATION



Reference dimensions. You'll receive the installation instructions along with your order. For more information or if you have any questions, please contact us.

## RNBA 03



- \* Trim kit Lever mixer
- \* EcoProtect - water-saving device
- \* Fixed spout
- Neoperl® Caché® CS, Coin Slot
- \* OptimalSpace - ample space for washing or working
- \* KWC cartridge M 35 H

- with ceramic discs
- flow rate and temperature continuously variable
- \* To be ordered separately:
- Unit for concealed installation 1/2" 39.001.401.931
- \* To be ordered separately (optional or if necessary):
- Extension set 20 mm Z.536.333

### Technical Data

Flow rate	5 l/min (3 bar)
Spout	fixed
Diameter	173 x 74
Handling	front lever
Color code	chrome
Installation_type	Wall mounted
Faucet_typ	Lever mixer
G_Acoustic group	I
Concealed_unit	Trim kit
Projection_A	A 225
Energy Label	A
material	Brass

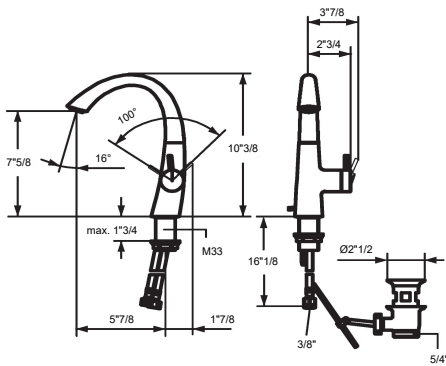
- \* Trim kit Lever mixer
- \* EcoProtect - water-saving device
- \* Fixed spout
- Neoperl® Caché® CS, Coin Slot
- \* OptimalSpace - ample space for washing or working
- \* KWC cartridge M 35 H

- with ceramic discs
- flow rate and temperature continuously variable
- \* To be ordered separately:
- Unit for concealed installation 1/2" 39.001.401.931
- \* To be ordered separately (optional or if necessary):
- Extension set 20 mm Z.536.333

### Technical Data

A_Spout_Spray	5 l/min (3 bar)
Connection	G 1/2"
Spout	fixe
Diameter	168 x 68
Handling	front lever
Color_code	chromeline
Installation_type	Wall mounted
Faucet_typ	Lever mixer
G_Acoustic group	I
Concealed_unit	Trim kit
Projection_A	A 225
Energy Label (CH)	A
Connection measure	Range CH curent
material	Brass

## RNBA 03

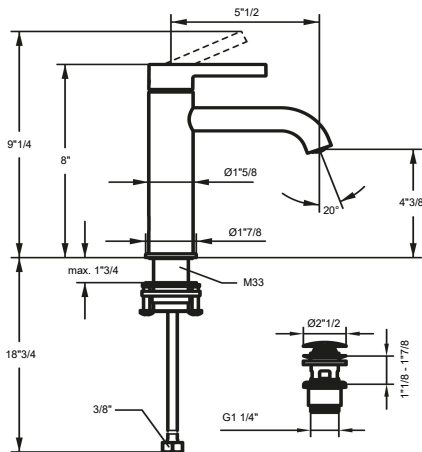


- \* Lever mixer
- \* Lever installation only possible on the right side
- Child safety: cold water flow in lever position towards the front
- \* gap between wall and centre of mounting hole min. 45 mm
- \* EcoProtect - water-saving device
- \* Swivel spout 90°
- Neoperf® Caché®

- \* OptimalSpace - ample space for washing or working
- \* KWC cartridge S 25
- with ceramic discs
- flow rate and temperature continuously variable
- \* Flexible connection hoses 3/8"
- \* Fastening by means of threaded sleeve M33 x 1.5
- \* Mounting hole size ø35 mm

### Technical Data

Flow rate	6 l/min (3 bar)
Pop-up_valve	without pop-up valve
Connection	flexible connection hoses
Spout	swivel
Handling	side lever
Color code	chrome
Installation_type	Pillar installation
Faucet_typ	Lever mixer
Dimension Height	262
G_Acoustic group	I
Projection_A	A 150
Energy Label	A
Dimension Water outlet	195
material	Brass



- \* Lever mixer
- \* EcoProtect - water-saving device
- \* Fixed spout
- Neoperf® Caché® CS Coin Slot
- \* OptimalSpace - ample space for washing or working
- \* KWC cartridge M 35 OP
- with ceramic discs
- flow rate and temperature continuously variable

- temperature limitation
- \* Flexible connection hoses 3/8"
- \* QuickInstallation - Fastening via threaded connection with locking screws
- \* Mounting hole size ø35 mm
- \* Scope of delivery:
- KWC pop-up valve Push Open 2 in 1 Z.540.049.700

### Technical Data

A_Spout_Spray	5 l/min (3 bar)
Pop-up_valve	MIT PUSH_OPEN
Connection	flexible connection hoses
Spout	fixe
Handling	top lever
Color code	brushed steel
Installation_type	Pillar installation
Faucet_typ	Lever mixer
Measure_Height	201
G_Acoustic group	I
Projection_A	A 140
Energy Label (CH)	A
Dimension Water outlet	112
material	Brass