

RNBT 03

Design: Norah Creative Lab FM



Description

The RNBT 03 round built-in bathtub by Norah Design is an exercise in architectural seamlessness, designed for high-end environments where the bath is intended to merge with the floor or a custom-built podium. Unlike freestanding models, the RNBT 03 is engineered for floor-level integration, creating a sophisticated "infinity pool" effect that transforms the bathroom into a private subterranean spa.

Finishes & Materials

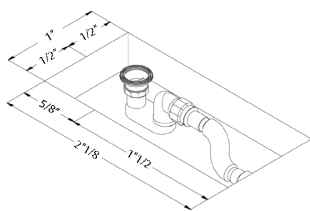
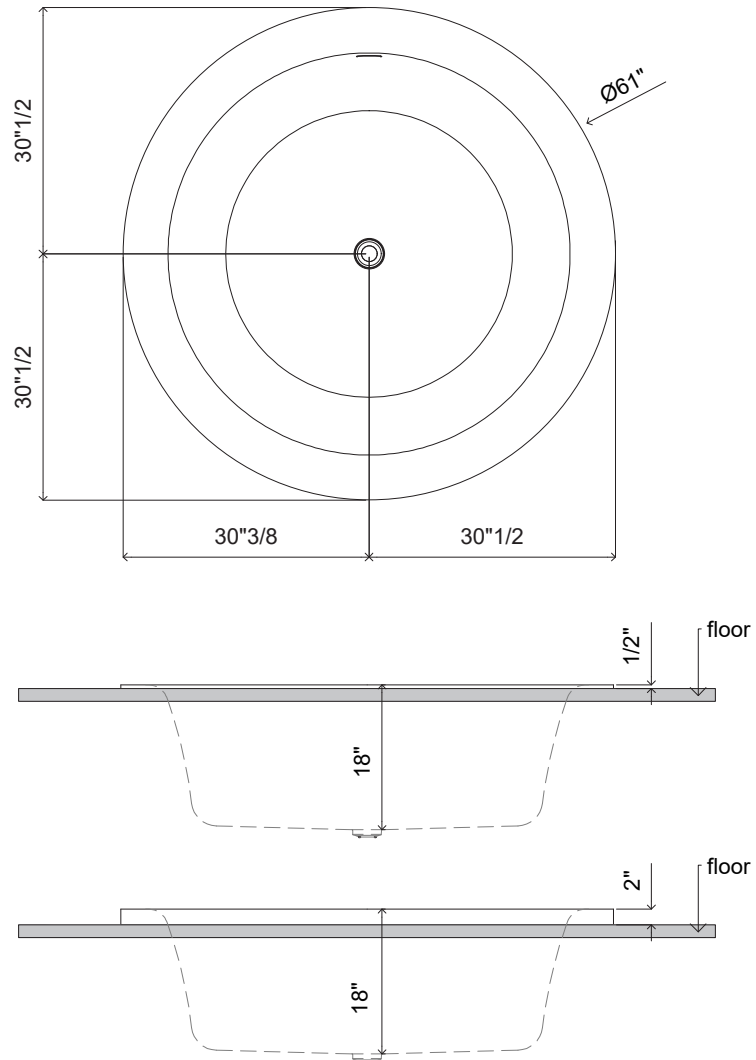
Structure: Acrylic.

Cover drain: Acrylic.

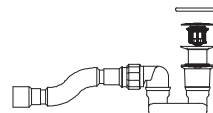
RNBT 03

Dimensions

Ø61" x 18"H



Dimension for siphon installation



Siphon and cover

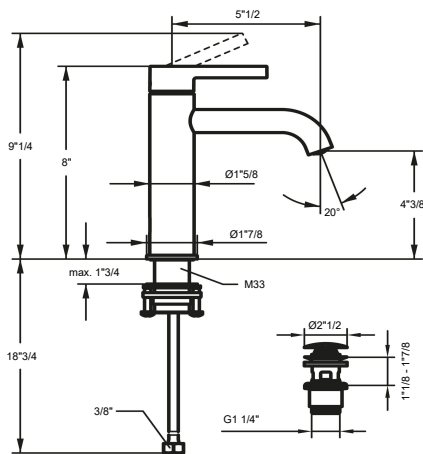
Reference dimensions. You'll receive the installation instructions along with your order. For more information or if you have any questions, please contact us.

RNBT 03



- * Lever mixer
- * EcoProtect - water-saving device
- * Fixed spout
- Neoperl® Caché® CS, Coin Slot
- * OptimalSpace - ample space for washing or working
- * KWC cartridge M 35 OP
- with ceramic discs
- flow rate and temperature continuously variable

- temperature limitation
- * Flexible connection hoses 3/8"
- * QuickInstallation - Fastening via threaded connection with locking screws
- * Mounting hole size ø35 mm
- * Scope of delivery:
- KWC pop-up valve Push Open 2 in 1 Z.540.049.700



Technical Data

A_Spout_Spray	5 l/min (3 bar)
Pop-up_valve	MIT PUSH_OPEN
Connection	Flexible connection hoses
Spout	fixe
Handling	top lever
Color_code	brushed steel
Installation_type	Pillar installation
Faucet_typ	Lever mixer
Measure_Height	201
G_Acoustic_group	I
Projection_A	A 140
Energy_Label_(CH)	A
Dimension_Water_outlet	112
material	Brass