

RNCN 02

Design: Norah Creative Lab FM



Description

The RNCN 02 round freestanding washbasin by Norah Design is a sophisticated architectural column designed to bring a dynamic, sculptural presence to the modern wellness space. Building on the iconic cylindrical geometry of the RNCN series, this model focuses on the power of color and contrast, offering a high degree of personalization that allows it to adapt to both minimalist and avant-garde interiors.

Finishes & Materials

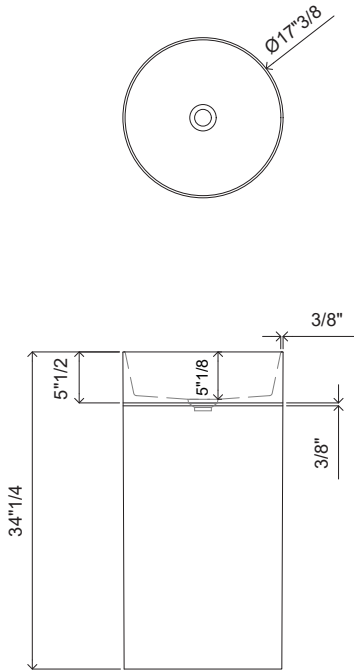
Structure: Acrylic or marble.

Cover drain: Acrylic.

RNCN 02

Dimensions

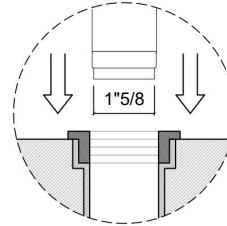
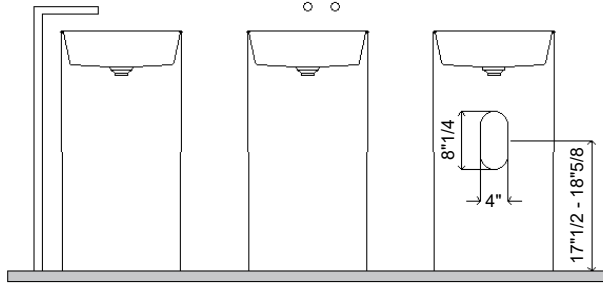
Ø17"3/8 x 34"1/4H



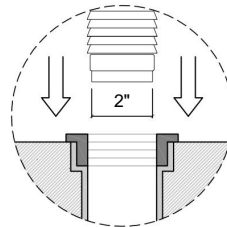
Reference dimensions. You'll receive the installation instructions along with your order. For more information or if you have any questions, please contact us.

RNCN 02

CONFIGURATION

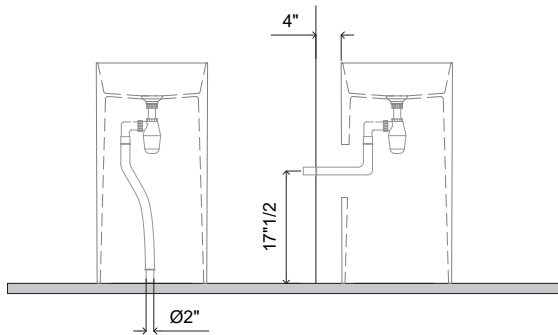


PRODUCT IN NORAHCRYL
Prepare the floor drain for a
1 5/8 (40mm) tube



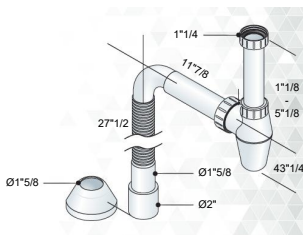
PRODUCT IN NORAHCRYL
Prepare the floor drain for a
2" (50mm) tube

Product in NORAHCRYL
Siphon in PP, 2" (50mm) drain tube

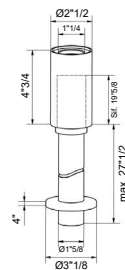


Floor drain version

Wall drain version



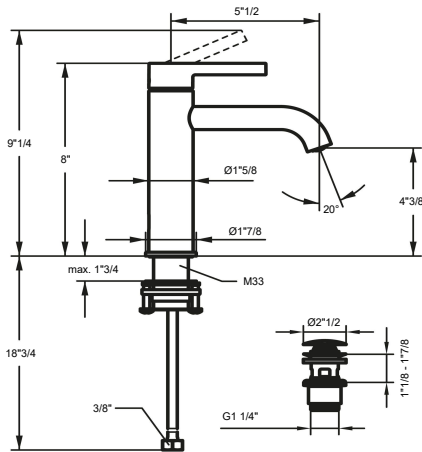
Siphon in PP



Siphon for floor drain in brass

Reference dimensions. You'll receive the installation instructions along with your order. For more information or if you have any questions, please contact us.

RNCN 02



- * Lever mixer
- * EcoProtect - water-saving device
- * Fixed spout
- Neoperl® Caché® CS, Coin Slot
- * OptimalSpace - ample space for washing or working
- * KWC cartridge M 35 OP
- with ceramic discs
- flow rate and temperature continuously variable

- temperature limitation
- * Flexible connection hoses 3/8"
- * QuickInstallation - Fastening via threaded connection with locking screws
- * Mounting hole size ø35 mm
- * Scope of delivery:
- KWC pop-up valve Push Open 2 in 1 Z.540.049.700

Technical Data

A_Spout_Spray	5 l/min (3 bar)
Pop-up_valve	MIT PUSH_OPEN
Connection	Flexible connection hoses
Spout	fixe
Handling	top lever
Color_code	brushed steel
Installation_type	Pillar installation
Faucet_typ	Lever mixer
Measure_Height	201
G_Acoustic_group	I
Projection_A	A 140
Energy_Label (CH)	A
Dimension Water outlet	112
material	Brass



- * Trim kit Lever mixer
- * EcoProtect - water-saving device
- * Fixed spout
- Neoperl® Caché® CS, Coin Slot
- * OptimalSpace - ample space for washing or working
- * KWC cartridge M 35 H

- with ceramic discs
- flowrate and temperature continuously variable
- * To be ordered separately:
- * Unit for concealed installation 1/4" 39.001.401.931
- * To be ordered separately (optional or if necessary):
- Extensionset 20 mm Z.536.333

Technical Data

Flow rate	5 l/min (3 bar)
Spout	fixed
Diameter	173 x 74
Handling	front lever
Colorcode	chrome
Installation_type	Wall mounted
Faucet_typ	Lever mixer
G_Acoustic_group	I
Concealed_unit	Trim kit
Projection_A	A 225
Energy_Label	A
material	Brass

