

Balance

Design: Pio & Tito Toso



Description

The Balance Suspension Lamp is a sculptural lighting fixture characterized by its asymmetric, non-concentric elliptical diffuser. The shade is crafted from hand-blown Murano glass with a white satin finish, engineered to provide high-quality, omnidirectional ambient light with a soft, natural appearance.

Light source: LED 19W 2850lm for size B/C and E12 Light Bulb for size A

Dimmer: Dimmed with a "phase cut" system (DIM 1) for Size A. DIM2 "phase cut" or DIM3 0-10V / 1-10V / PUSH for Size B/C.

Dimensions

Size A: 9"3/8W x 8"1/4D x 4"3/8H

Size B: 18"1/8W x 15"3/4D x 6"5/8H

Size C: 22"W x 18"7/8D x 7"H

Tensors & Canopy: 78"3/4MaxH

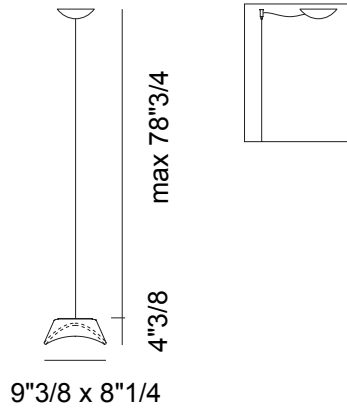
Finishes and materials

Frame: Metal.

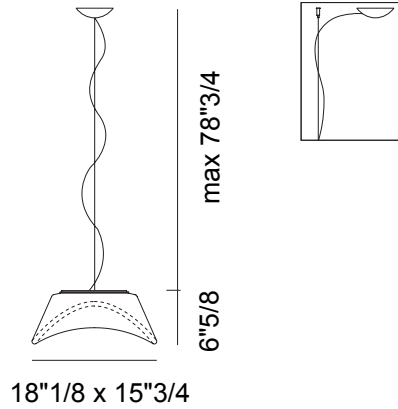
Diffuser: Glass.

Balance

Size A



Size B



Size C

