

ECOS

Design: Renato Toso, Noti Massari & Associati



Description

The Ecos Suspension Lamp is a modular lighting system defined by the repetition of hand-blown Murano glass rings. Each ring features a Rigadin (striped) texture, which creates a sophisticated, shimmering light effect through the refraction of the glass. The fixture is constructed with a high-quality metal frame available in glossy chrome or satin bronze.

Light source: E26 light bulbs, 1 for Size A, 4 for Size B ,

Dimmer: Dimmed with a “phase cut” system (DIM 1)

Dimensions

Size A: Ø13³/₄ x 13³/₄H

Size B: Ø23⁵/₈ x 17³/₄H

Size C: Ø33³/₈ x 27¹/₈H

Tensors & Canopy: 78³/₄ max.

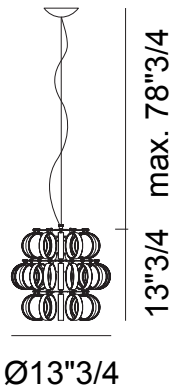
Finishes and materials

Frame: Metal.

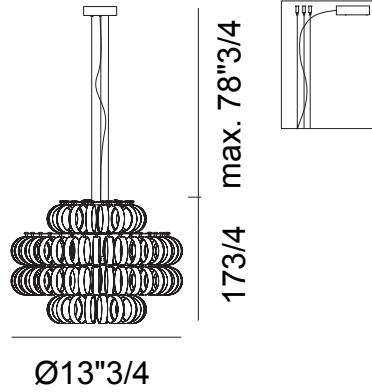
Diffuser: Glass.

Ecoss

Size A



Size B



Size C

