

Asia Office

Design: Pier Luigi Frighetto



Description

Practical yet refined, the Asia Office chair is designed to bring comfort and prestige to contemporary workspaces. Its sophisticated silhouette transforms a functional office chair into a statement piece, ideal for environments that value both performance and aesthetics. With its elegant presence and ergonomic focus, it reflects the standards expected from premium luxury home furniture tailored for modern professional settings.

The seat and backrest are carefully shaped to support natural posture, while the swivel base and adjustable height mechanism provide flexibility throughout the workday. Smooth mobility enhances usability, allowing effortless movement without compromising stability. This thoughtful engineering, combined with refined materials, positions Asia Office within the realm of sophisticated designer furniture that seamlessly blends comfort and style.

Asia Office integrates easily into executive offices, home studios, or refined meeting rooms. Its understated luxury and dynamic functionality contribute to a cohesive and polished workspace. With its meticulous craftsmanship and contemporary appeal, it stands out as a distinguished piece from a curated luxury furniture collection.

Made in Italy.

Finishes & Materials

Non-Removable Cover: Fabric, Velvet or Leather with black finished piping.

Padding: Expanded polyurethane.

Armrests: Steel in matt varnish.

Back: Beech wood.

Base: Die-cast aluminum in matt varnish with soft self-braking castors and gaslift height mechanism.

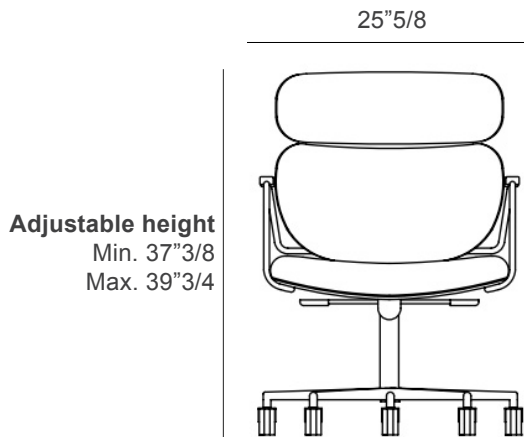
Asia Office

Dimensions

25"5/8W x 27"1/8D x 37"3/8H to 39"3/4H - Cod. BASI100F

Seat height: from 17"3/4 to 20"

Armrests height: from 26"3/4 to 29"1/8



Adjustable height
Min. 17"3/4
Max. 20"

