

Ibisco

Design: Archirivolto



Description

Ibisco is a refined bed collection that brings sculptural elegance to the most intimate space of the home. The generously padded headboard defines the composition with architectural clarity and softness. In the Ibisco Plus version, the headboard gently folds toward the sides, creating a romantic alcove effect.

The collection is available in three integrated configurations designed to suit different spatial and functional needs. Ibisco One features a clean composition without bedside tables, Ibisco Standard and Ibisco Plus incorporate integrated nightstands supported by slender metal rods, each including a shelf and a rotating drawer conceived to discreetly store personal items.

The suspended bed frame is constructed in poplar wood with polyurethane padding and an integrated metal structure. Metal feet and a wooden slatted base ensure stability and comfort. Across all versions, Ibisco blends functionality and thoughtful detailing. Mattress not included, slats included.

Made in Italy.

Finishes & Materials

Non-Removable Cover: Fabric or Velvet.

Headboard Structure: Linear poplar wood and high density polyurethane foam with vertical banding.

Suspended Frame: Poplar wood and polyurethane foam padding, with integrated metal frame.

Slats: Wood.

Integrated Nightstands: Metal with Lacquered Glass top.

Feet: Metal.

Ibisco

Dimensions

Queen: To fit American Queen size mattress 60"1/4W x 80"D

King: To fit American King size mattress 76"W x 80"D

Ibisco One

Queen: 101"5/8W x 89"3/8D x 43"H

King: 108"5/8W x 89"3/8D x 43"H

Ibisco

Queen: 113"3/8W x 89"3/8D x 43"H

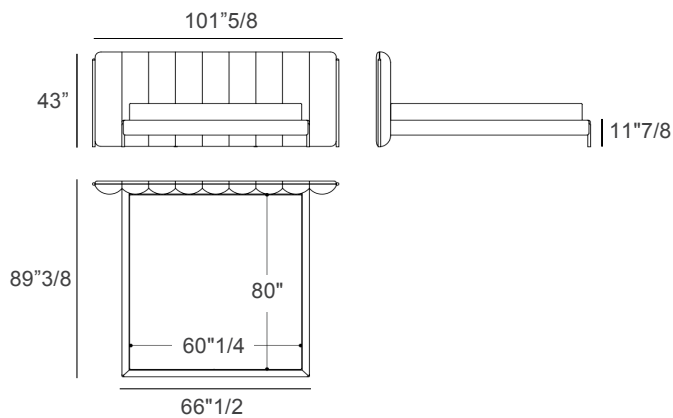
King: 120"1/2W x 89"3/8D x 43"H

Ibisco Plus

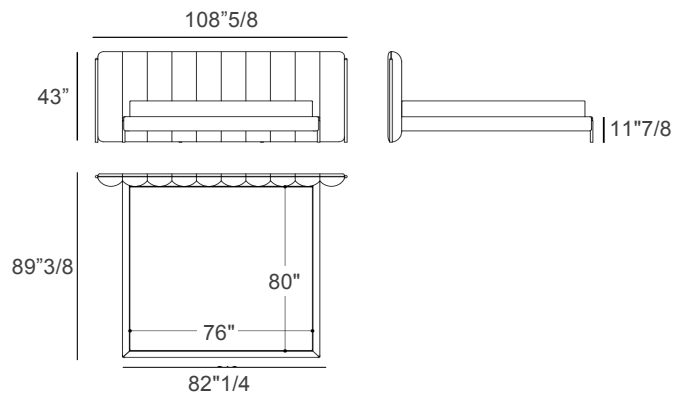
Queen: 126"W x 89"3/8D x 43"H

King: 132"5/8W x 89"3/8D x 43"H

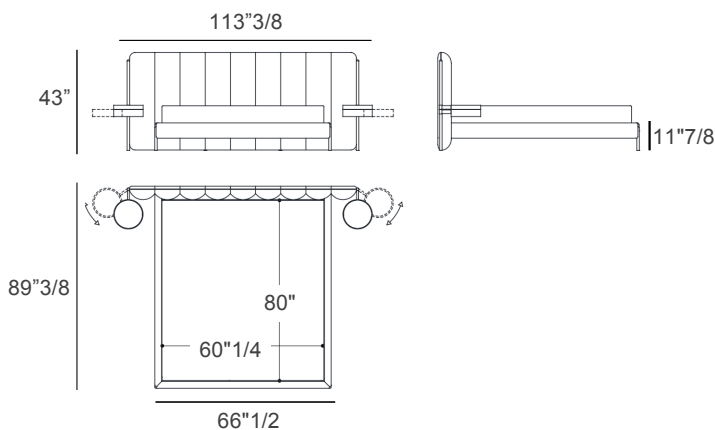
Ibisco One - Queen



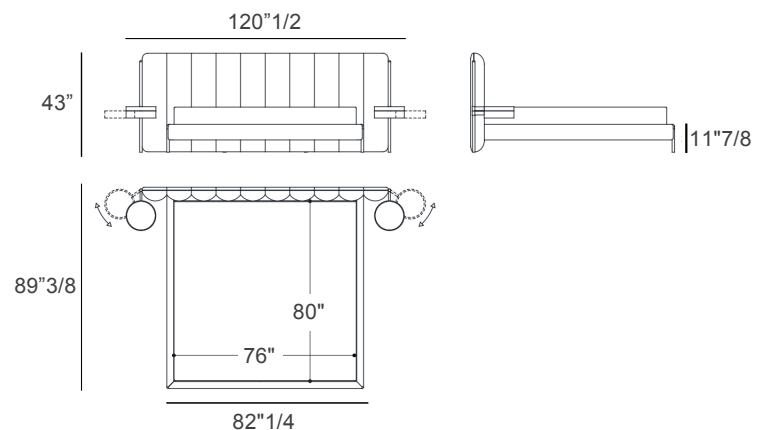
Ibisco One - King



Ibisco - Queen

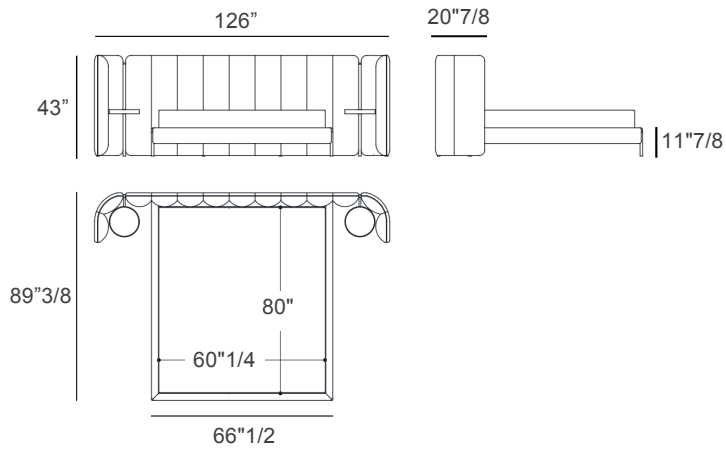


Ibisco - King

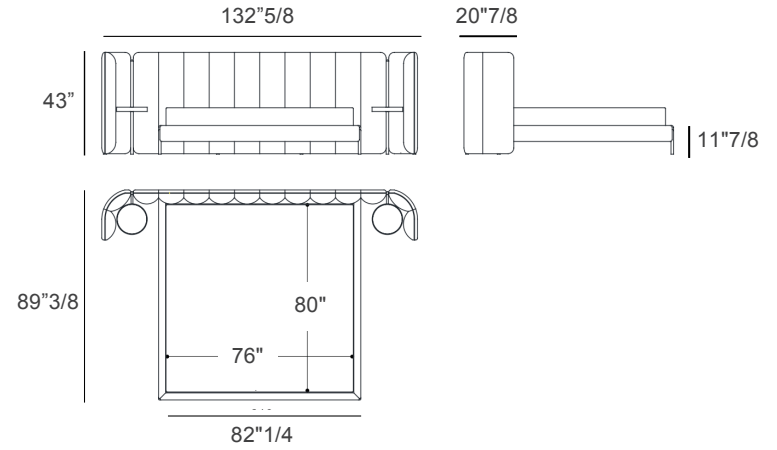


Ibisco

Ibisco Plus - Queen



Ibisco Plus - King



Versions



Ibisco One



Ibisco



Ibisco Plus