

Tao

Design: Claudia Campone & Martina Stancati



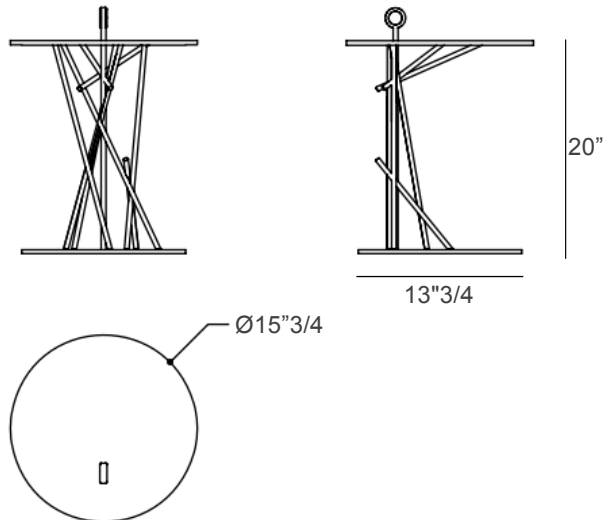
Description

Tao is a side table defined by iconic simplicity, where refined materials and sculptural proportions create an immediate visual impact. The glass top introduces a bold yet elegant surface, while the slender stainless steel structure supports it with lightness and precision. The thoughtful design and refined materials reflect the quality associated with premium luxury brand furniture, where even small accents contribute to the overall elegance of the space.

Functional and discreet, Tao is conceived to support books, decorative objects, or drinks with effortless practicality. Its compact dimensions and balanced silhouette allow it to integrate seamlessly into demanding interiors. Made in Italy.

Dimensions

Ø15"3/4 x 20"H - Cod. BTAO45



Finishes & Materials

Top: Back Lacquered Glass.
Structure: Stainless steel.

