

## Baggy Trio

*Design: Paola Navone - Otto Studio*



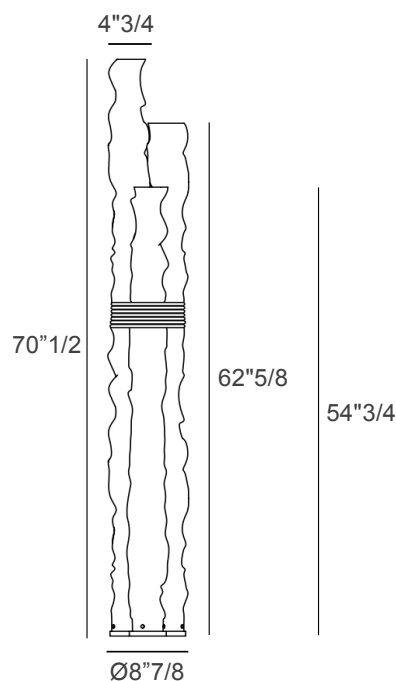
### *Description*

Baggy Trio is an eclectic lighting collection defined by an informal and playful mood, inspired by the relaxed volume of oversized trousers. Its distinctive design language celebrates freedom of composition, with individual modules of varying sizes that can be combined to create dynamic and expressive arrangements. The Baggy Trio floor lamp is composed of three elements featuring double-satin polycarbonate diffusers in different heights, each with the irregular appearance of crumpled paper tubes. What makes Baggy truly unique is its organic form combined with LED technology custom-made for the lamp's internal geometry. The light is diffused in a magical and unexpected way, creating a warm and atmospheric glow that highlights its sculptural character. Made in Italy.

### *Dimensions*

Ø8"7/8 x 70"1/2H with 11"7/8 + 78"3/4 of Cable

**Light source:** 1x35.9W + 1x31.5W + 1x29.7W - Custom Strip LED - 14084 Lm - 2700 K - CRI >90 - Dimmer on board



### *Finishes & Materials*

**Diffuser:** Polycarbonate with rope detail.

**Base:** Metal.

**Cable:** Fabric.

