

## Baggy Trio

*Design: Paola Navone - Otto Studio*



### *Description*

Baggy is an eclectic lighting collection defined by an informal and playful mood, inspired by the relaxed volume of oversized trousers. Each lamp is conceived as a composition of individual modules in different sizes, offering complete freedom and creative flexibility.

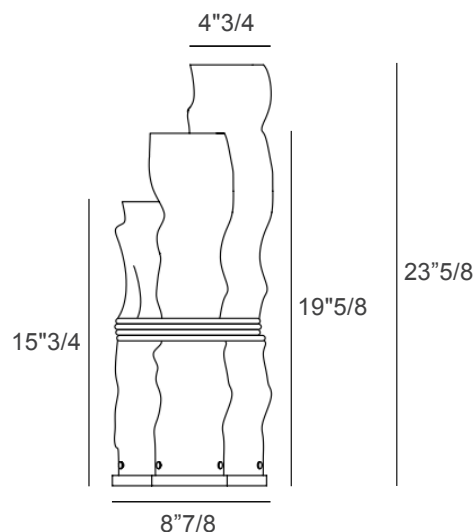
The Baggy Trio table lamp is composed of three elements with double-satin polycarbonate diffusers in varying heights, each featuring the irregular appearance of crumpled paper tubes. What makes Baggy truly unique is its organic shape combined with LED technology custom-made for the lamp's internal geometry. The light is diffused in a magical and unexpected way, creating a warm and atmospheric glow that enhances its sculptural presence.

Made in Italy.

### *Dimensions*

8"7/8W x 23"5/8H with 11"7/8 + 78"3/4 of Cable

**Light source:** 1x11.4W + 1x8.8W + 1x7W - Custom Strip LED - 3933 Lm - 2700 K - CRI >90 - Dimmer on board



### *Finishes & Materials*

**Diffuser:** Polycarbonate with rope detail.

**Base:** Metal.

**Cable:** Fabric.

