

Bianca

Design: Dainelli Studio



Description

Bianca wall lamp draws inspiration from the symmetrical structure of snowflakes, translating this geometric harmony into an elegant luminous composition. Its radiating arms create a refined architectural presence, transforming the fixture into both a decorative statement and a functional light source. With its sculptural balance and sophisticated proportions, Bianca reflects the character of premium luxury lighting fixtures suited for contemporary interiors.

The tubular light sources, crafted from milky white glass, provide soft and evenly diffused illumination. Specially designed for the collection and paired with a low-voltage socket, they enhance both performance and visual harmony. This thoughtful integration of technology and design aligns the piece with curated designer light fixtures, where innovation supports timeless aesthetics.

The Bianca wall lamp offers flexible installation options, with the driver available either integrated into the base or as a remote driver without base. This versatility allows the fixture to adapt to different architectural requirements while maintaining a clean and elegant look. Both functional and visually striking, it stands out among refined luxury lighting design, adding sophistication and distinctive character to its surroundings.

Made in Italy.

Light source: 2 x 4.4W + 2 x 5.6W - Custom tubular LED bulbs - E12 (included) - 24V - 2 x 350 Lm + 2 x 500 Lm (1700 Lm) - 2700 K - CRI: >80 - Triac Dimmer

Finishes & Materials

Diffuser: Glass.

Frame: Metal.

Bianca

Dimensions

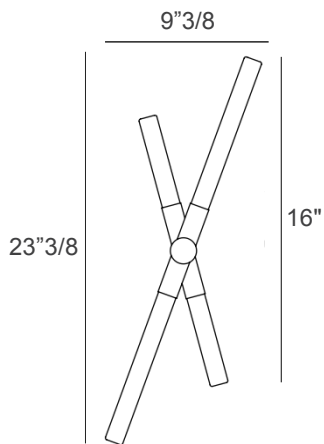
9"3/8W x 23"3/8H



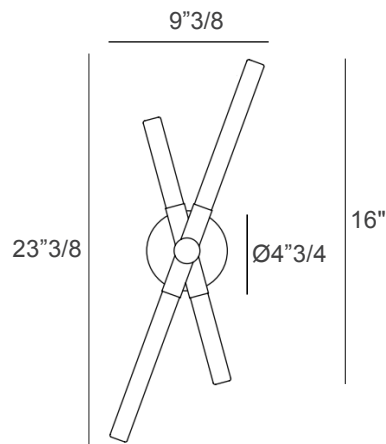
Remote driver: Triac dimmer - Dimmable driver included

Driver on board: Triac dimmer

Remote driver version



Driver on board version



Bulbs



2 x Small + 2 x Medium