

Hat

Design: Paola Navone - Otto Studio



Description

Essential yet full of character, the Hat table lamp pays tribute to 1950s French design with a refined and relaxed elegance. Its rope-covered base introduces texture and warmth, while the clean white lampshade balances the composition with soft illumination.

The combination of tactile materials and understated geometry highlights the artisanal spirit of the design. The rope detail enhances visual depth, creating a subtle contrast with the smooth surface of the shade.

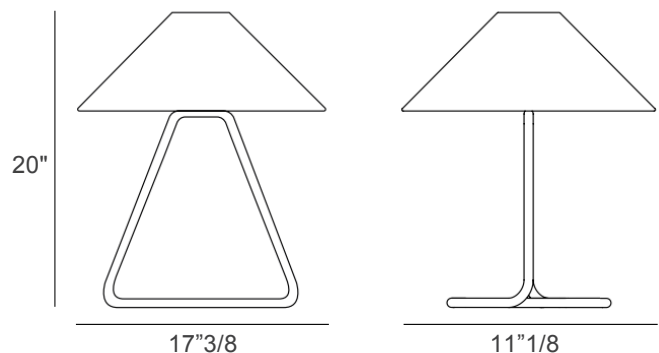
Balancing handcrafted character with contemporary refinement, the Hat table lamp offers timeless versatility. Made in Italy.

Light source: 1x11W - E26 - Full light LED bulb (not included) - Dimmer on board



Dimensions

17"3/8W x 11"1/8D x 20"H



Finishes & Materials

Frame & Cable: Rope.

Shade: Linen or Tyvek Fabric.