

Mikado

Design: Massimiliano Raggi



Description

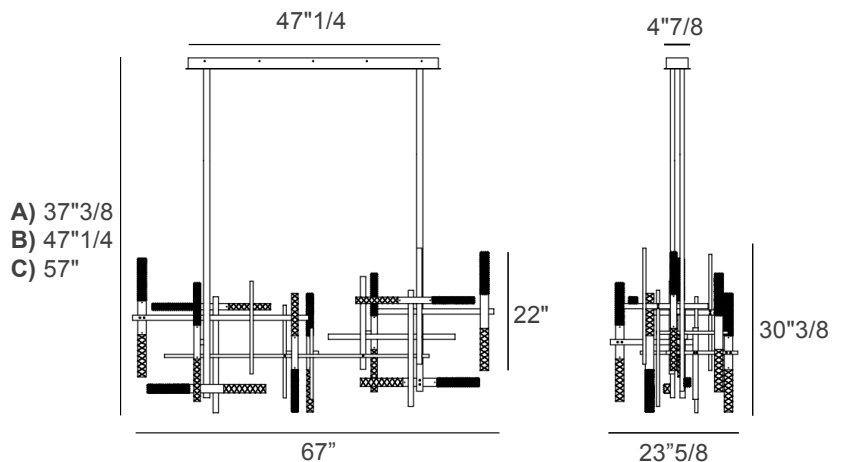
Mikado Double Suspension is a refined collection of “jewel” lamps distinguished by the elegant combination of rectangular brass tubes and slanted engraved crystal cubes. With two different types of crystal workmanship, the double composition enhances the sophisticated interplay of light, texture, and geometry, creating an even more striking decorative presence. The apparently random arrangement of elements—reflected in the name “Mikado”—follows a precise and carefully balanced scheme that creates harmony through architectural rhythm. The LED sources are discreetly inserted within the brass tubes to highlight and enhance the brilliance of the engraved crystal, delivering both high performance and atmospheric illumination. Made in Italy.

Dimensions

- A) 67”W x 23”5/8D x 37”3/8H
- B) 67”W x 23”5/8D x 47”1/4H
- C) 67”W x 23”5/8D x 57”H

Light source:

20x4W - LED module - 11200 Lm - 2700 K - CRI >90 - Triac Dimmer



Finishes & Materials

Structure: Metal.

Diffuser: Engraved/prismatic transparent crystal.

