

Mikado

Design: Massimiliano Raggi

Description

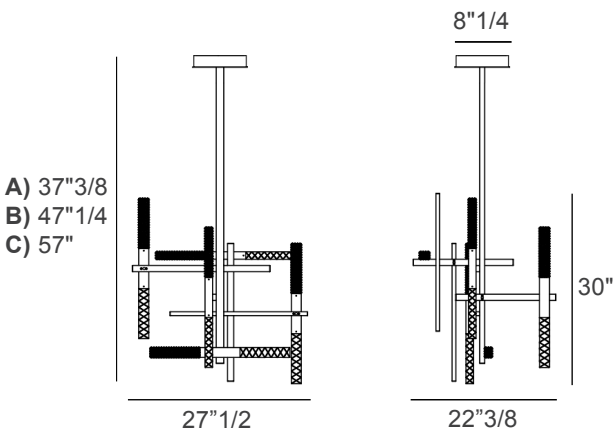
Mikado Suspension is a refined collection of “jewel” lamps distinguished by the elegant combination of rectangular brass tubes and slanted engraved crystal cubes. With two different types of crystal workmanship, the design creates a sophisticated interplay of light, texture, and geometry. The apparently random arrangement of elements—reflected in the name “Mikado”—follows a precise and carefully balanced composition. This architectural rhythm creates visual movement while preserving harmony and proportion, giving the suspension lamp a strong yet elegant identity. The LED sources are discreetly inserted within the brass tubes to enhance and showcase the brilliance of the engraved crystal, delivering both high performance and atmospheric illumination. Made in Italy.

Dimensions

- A) 27" 1/2W x 22" 3/8D x 37" 3/8H
- B) 27" 1/2W x 22" 3/8D x 47" 1/4H
- C) 27" 1/2W x 22" 3/8D x 57" H

Light source:

10x4W - LED module - 5600 Lm - 2700 K - CRI >90



Finishes & Materials

Structure: Metal.

Diffuser: Engraved/prismatic transparent crystal.

