

Da45

Design: R&D Dallagnese



Description

The DA45 sideboard reflects sophisticated simplicity through its clean lines, harmonious proportions, and timeless elegance. Its understated yet luxurious design is created to enhance contemporary interiors, making it a perfect complement to refined living room furniture sets. The seamless absence of visible handles highlights its sleek, continuous silhouette, while the angled cut ensures a comfortable and effortless grip, combining functionality with visual balance.

The contrast between the doors and the radiant textured stoneware insert adds depth, dimension, and distinctive character to the piece. This refined combination of materials transforms the sideboard into a true expression of designer furniture, bringing premium craftsmanship and modern sophistication into elegant living spaces. The stoneware detail introduces an extra layer of richness, elevating the overall design with subtle luxury.

Created for those who appreciate both aesthetics and practicality, the DA45 sideboard blends beautifully into minimalist interiors as well as more eclectic settings. Its strong visual identity and versatile elegance make it an essential part of a curated luxury furniture collection, enriching sophisticated homes and exclusive family room furniture spaces with contemporary Italian style. Made in Italy.

Finishes & Materials

Structure: CARB-02 certified wood particle board panels. Interior in Textured finish with shelves.

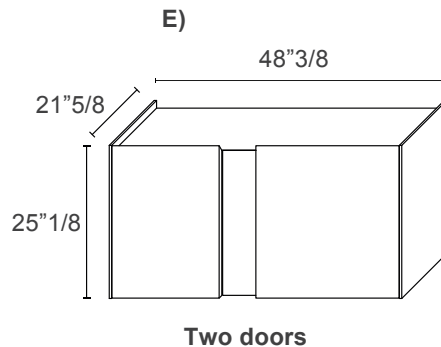
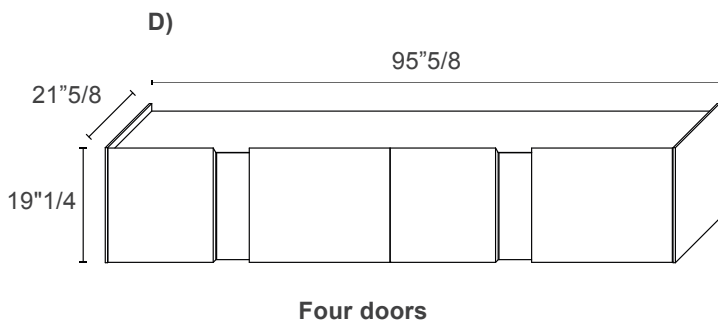
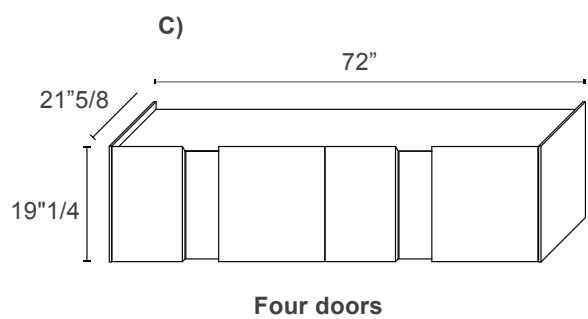
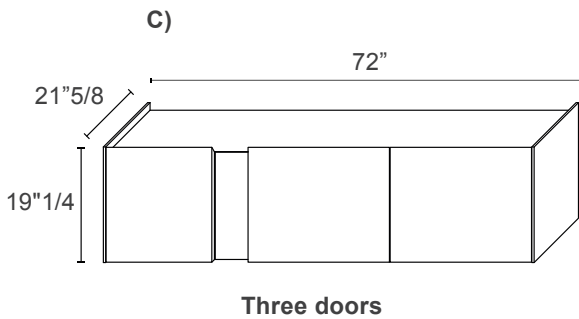
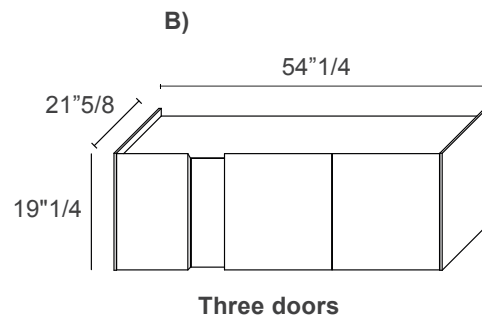
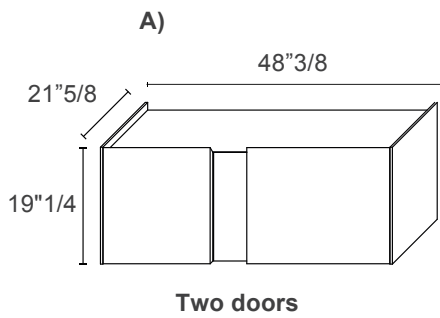
Top & Fronts Detail: Stoneware.

Fronts: Wood with Up Surfaces, Matt or Glossy Lacquered finishes.

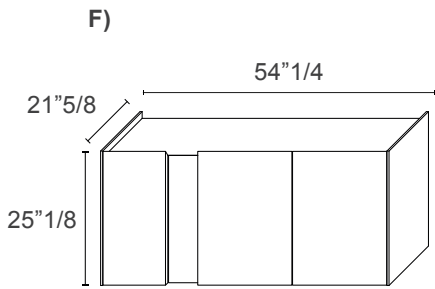
Da45

Dimensions

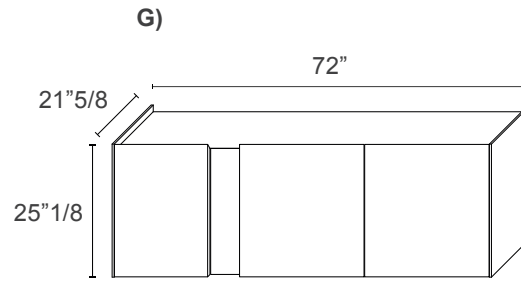
- A) 48"3/8W x 21"5/8D x 19"1/4H - Cod. DAS0552
- B) 54"1/4W x 21"5/8D x 19"1/4H - Cod. DAS0562
- C) 72"W x 21"5/8D x 19"1/4H - Cod. DAS0582 / DAS2582
- D) 95"5/8W x 21"5/8D x 19"1/4H - Cod. DAS2592
- E) 48"3/8W x 21"5/8D x 25"1/8H - Cod. DAS0553
- F) 54"1/4W x 21"5/8D x 25"1/8H - Cod. DAS0563
- G) 72"W x 21"5/8D x 25"1/8H - Cod. DAS0583 / DAS2583
- H) 95"5/8W x 21"5/8D x 25"1/8H - Cod. DAS2593



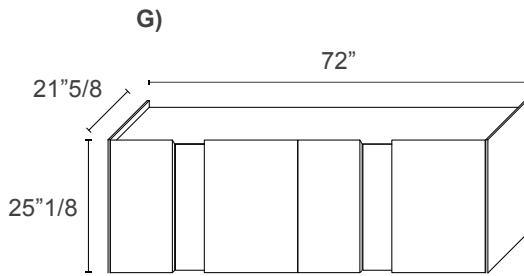
Da45



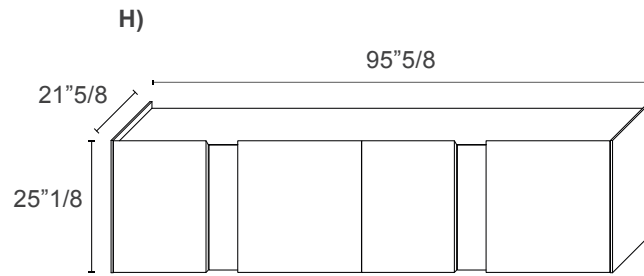
Three doors



Three doors



Four doors



Four doors