

Mirta Console

Design: Andrea Lucatello



Description

Rooted in a journey through the history of furniture and across different cultures, the contemporary Mirta console expresses a sense of charm combined with functionality. Its design reflects Ivano Antonello Italia's approach to selecting and proposing pieces with a strong identity. Defined by a refined balance between elegance and simplicity, the console features a structure in wood or lacquered wood, complemented by a wooden drawer front, resulting in a contemporary piece with a clear and composed presence.

Finishes & Materials

Frame: Wood

Drawer: Wood

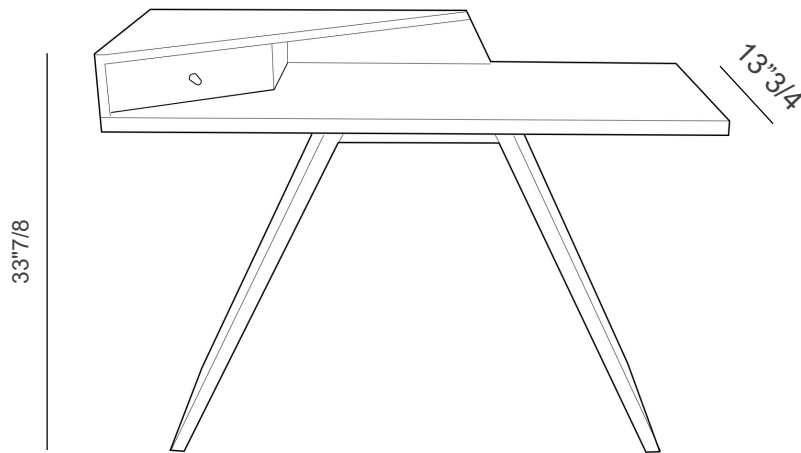
Mirta Console

Dimensions

Size A: 43"1/4W x 13"3/4D x 33"7/8H

Size B: 51"1/8W x 13"3/4D x 33"7/8H

Model: Mirta Console



Size A: 43"1/4W / Size B: 51"1/8