

## Mezz'aria

*Design: Daniele Lago*



### Description

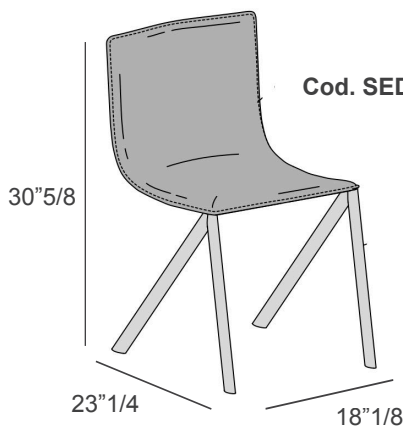
The Mezz'aria suspended chair introduces a new perception of lightness through its daring cantilevered design, where the seat appears to float effortlessly. The absence of rear supports, combined with the angled structure of the legs, creates a dynamic and sophisticated visual effect. The generous padded seat enhances comfort while preserving the chair's refined aesthetic. The quilted or smooth upholstery, paired with the flexible frame, provides a soft and welcoming seating experience, enriched by a subtle cushioning effect between the shell and the legs. The Mezz'aria chair supports up to 180 kg and has been rigorously tested for prolonged use, ensuring reliability over time.

Made in Italy.

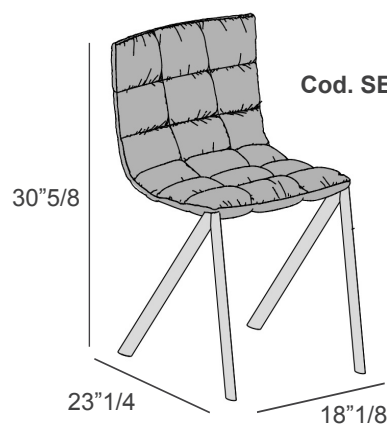
### Dimensions

18"1/8W x 23"1/4D x 30"5/8H

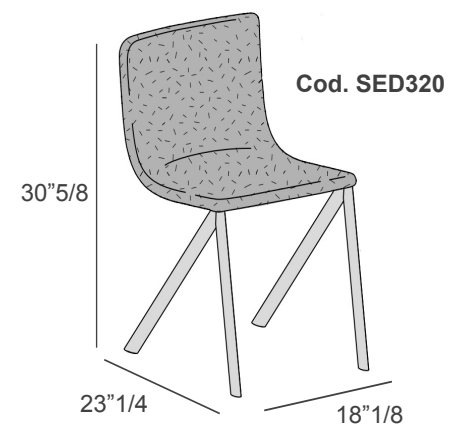
Leather upholstery



Quilted upholstery



Smooth upholstery



### Finishes & Materials

**Upholstery:** Fabric and Leather.  
**Structure:** Metal or Wood.

*\*Please note: Both the smooth and quilted versions can be stacked up to four chairs high, exclusively with the metal structure.*