

Bedrock Plank C

Design: Terry Dwan

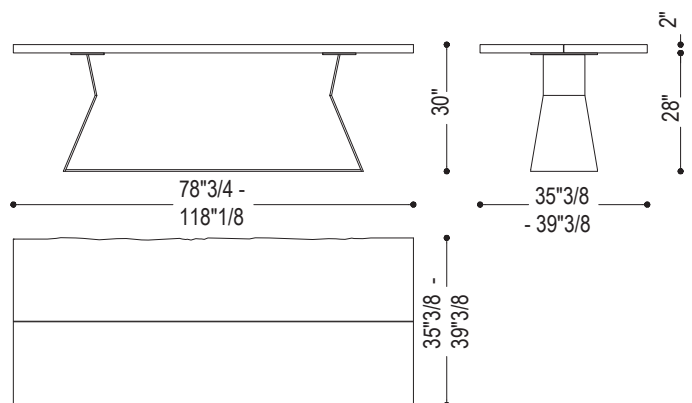


Description

The Bedrock Plank C is a luxury dining table featuring a solid wood top composed of two aligned planks with a central longitudinal gap and natural (live) sides. The structure is supported by a base made of folded iron plate with a raw or lacquered finish, featuring a minimalist geometric design. Made in Italy.

Dimensions

Size A: 78"3/4W x 35"3/8D to 39"3/8D x 30"H
Size B: 86"5/8W x 35"3/8D to 39"3/8D x 30"H
Size C: 94"1/2W x 35"3/8D to 39"3/8D x 30"H
Size D: 102"3/8W x 35"3/8D to 39"3/8D x 30"H
Size E: 110"1/4W x 35"3/8D to 39"3/8D x 30"H
Size F: 118"1/8W x 35"3/8D to 39"3/8D x 30"H



Finishes and materials

Top: Solid Wood.
Base: Metal.