

## Bedrock Plank Three

*Design: Terry Dwan*

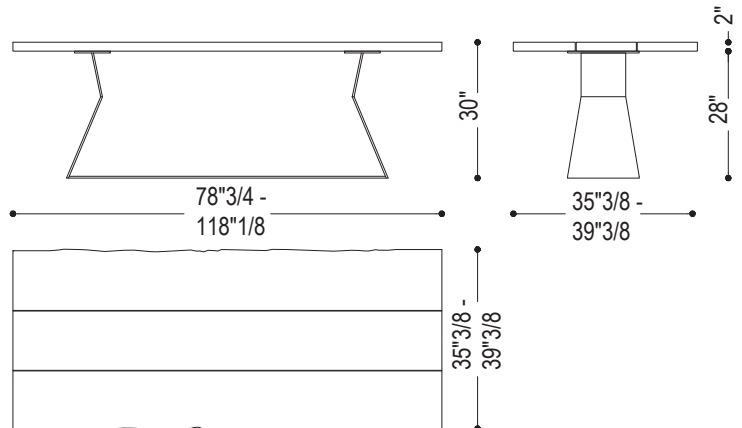


### *Description*

The Bedrock Plank Three is a luxury dining table featuring a solid wood top composed of three aligned planks with central gaps and natural (live) outer sides. The structure is supported by a base made of folded iron plate with a raw or lacquered finish, featuring a high-precision geometric design. Made in Italy.

### *Dimensions*

**Size A:** 78"3/4W x 35"3/8D to 39"3/8D x 30"H  
**Size B:** 86"5/8W x 35"3/8D to 39"3/8D x 30"H  
**Size C:** 94"1/2W x 35"3/8D to 39"3/8D x 30"H  
**Size D:** 102"3/8W x 35"3/8D to 39"3/8D x 30"H  
**Size E:** 110"1/4W x 35"3/8D to 39"3/8D x 30"H  
**Size F:** 118"1/8W x 35"3/8D to 39"3/8D x 30"H



### *Finishes and materials*

**Top:** Solid Wood.  
**Base:** Metal.