

Molletta

Design: Baldessari e Baldessari



Description

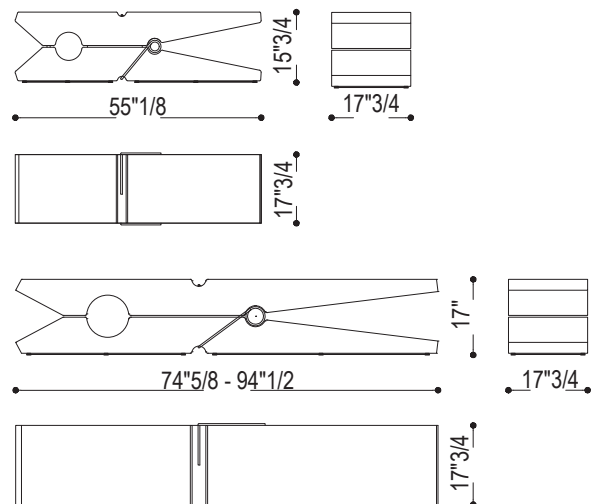
The Molletta is a luxury sculptural bench characterized by its monolithic construction in solid Cedar of Lebanon. The design replicates a clothespin using two carved wood elements joined by a decorative and functional iron spring. The wood's surface is left untreated to emphasize its aromatic properties and unique tactile grain. Made in Italy.

Dimensions

Molletina: 55"1/8W x 17"3/4D x 15"3/4H

Molletta Medium: 74"5/8W x 17"3/4D x 17"H

Molletta: 94"1/2W x 17"3/4D x 17"H



Finishes and materials

Structure: Solid wood.

Iron Spring: Metal.