

Nuvola

Design: Stefano Conficconi



Description

The Nuvola sectional with frame embodies a vision of bright, essential, and harmonious living, where clean lines, natural materials, and refined proportions create a sophisticated atmosphere of comfort and elegance. The generous reclining backrests gently adjust to follow the body's natural movements, offering a personalized and exceptionally relaxing seating experience.

Delicate contrast piping traces the contours of the sofa, creating elegant visual accents that highlight its contemporary character. The adjustable armrests can be gently opened outward, increasing the sofa's overall width and offering enhanced comfort, flexibility, and a more relaxed lounging experience.

As part of a curated luxury furniture collection, the Nuvola sectional sofa with frame combines premium craftsmanship, modular versatility, and timeless Italian elegance. It provides versatile customization options, offering a single-color version or a two-color version that allows the inner stitching to feature a distinct finish from the outer upholstery.

Made in Italy.

Finishes & Materials

Structure: Metal with elastic belts support.

Padding: Expanded polyurethane foam with two densities and acrylic silicon fiber, all covered with a layer of acrylic fiber.

Decorative Cushions: Padded with acrylic silicon fiber.

Upholstery: Fabric or Leather.

Frame & Feet: Steel.

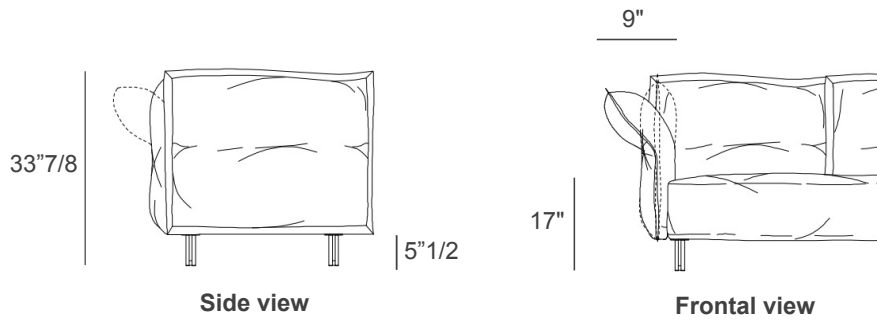
Nuvola

Compositions

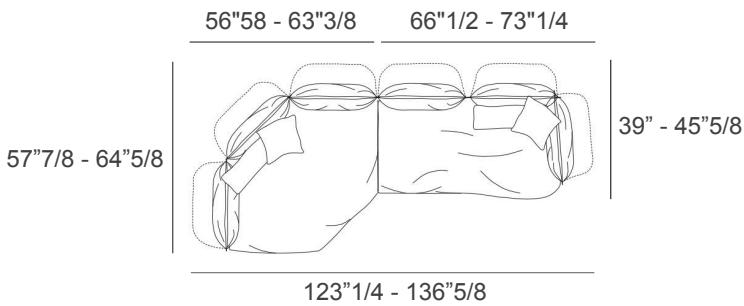
A) 123"1/4W - 136"5/8W x 57"7/8D - 64"5/8D x 33"7/8H - **63+80P**

B) 155"7/8W - 169"1/4W x 123"1/4D - 136"5/8D x 33"7/8H - **65+04P+08P**

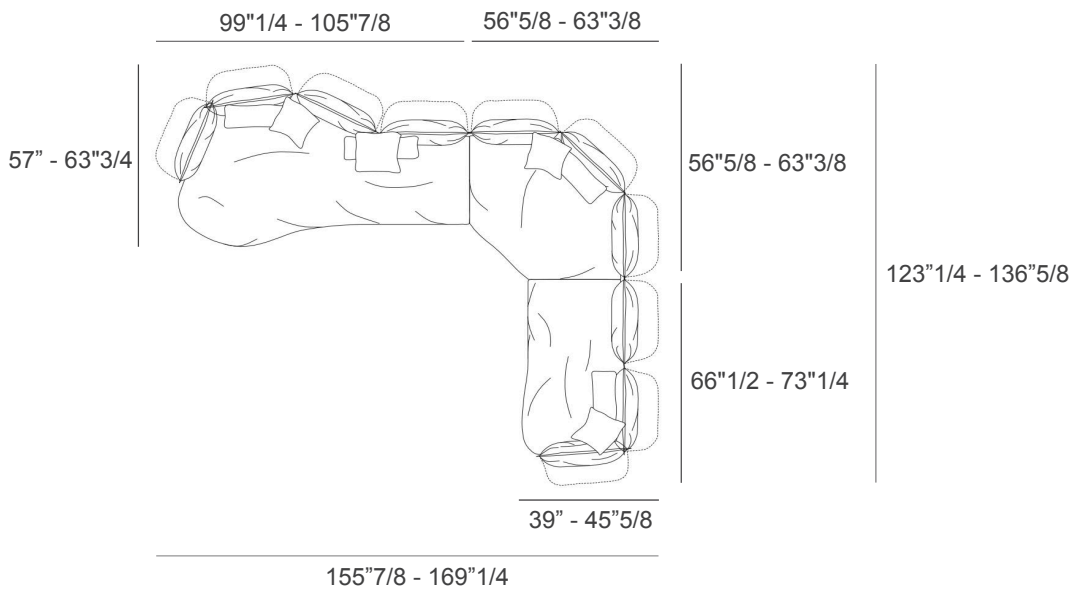
Seat height: 17"



A)



B)



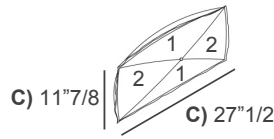
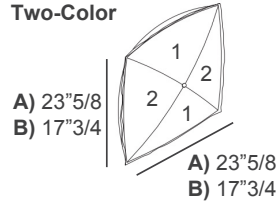
Nuvola

Optional decorative cushions

Two-Color:

- A) 23"5/8W x 23"5/8H - **Cod. C1**
- B) 17"3/4W x 17"3/4H - **Cod. C2**
- C) 27"1/2W x 11"7/8H - **Cod. C3**
- D) Ø19"5/8 - **Cod. CT**

Two-Color



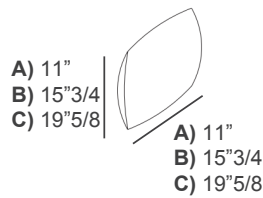
Please note:

The sections marked with the number 1 may be in one color, and the sections marked with the number 2 will be in a different color.

Knife-Edged:

- A) 11"W x 11"H - **Cod. C4**
- B) 15"3/4W x 15"3/4H - **Cod. C5**
- C) 19"5/8W x 19"5/8H - **Cod. C9**
- D) 27"1/2W x 11"7/8H - **Cod. 10**

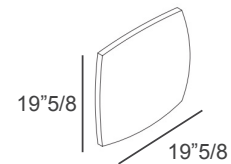
Knife-Edged



Knife-Edged



Box-Edged



Box-Edged:

- 19"5/8W x 19"5/8H - **Cod. C50**

Inner stitching reference

