

Nuvola

Design: Stefano Conficconi



Description

The Nuvola sectional sofa without frame embodies a vision of bright, essential, and harmonious living, where clean lines, natural materials, and soft volumes create an atmosphere of effortless elegance. The generous reclining backrests gently adapt to the body's movements, providing a personalized and exceptionally relaxing seating experience.

Without the presence of an external frame, this version emphasizes the purity of its silhouette. The adjustable armrests can be gently opened outward, increasing the sofa's overall width and creating an even more relaxed and inviting lounging experience. Combined with the reclining backrests, these features enhance both flexibility and comfort, offering a seating system tailored to individual preferences.

It provides versatile customization options, offering a single-color version or a two-color version that allows the inner stitching to feature a distinct finish from the outer upholstery.

Made in Italy.

Finishes & Materials

Structure: Metal with elastic belts support.

Padding: Expanded polyurethane foam with two densities and acrylic silicon fiber, all covered with a layer of acrylic fiber.

Decorative Cushions: Padded with acrylic silicon fiber.

Upholstery: Fabric or Leather.

Feet: Steel.

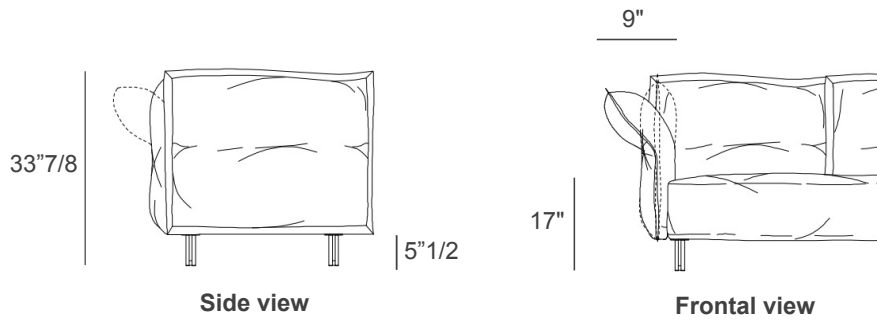
Nuvola

Compositions

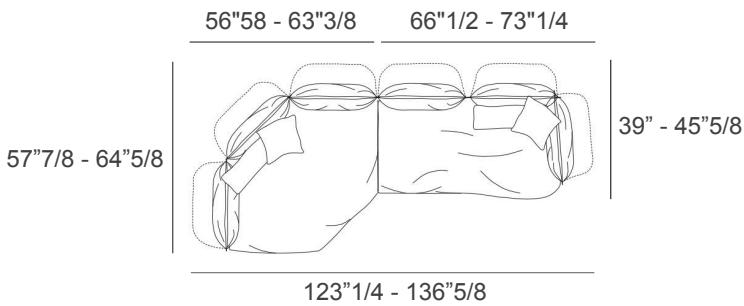
A) 123"1/4W - 136"5/8W x 57"7/8D - 64"5/8D x 33"7/8H - **63+80P**

B) 155"7/8W - 169"1/4W x 123"1/4D - 136"5/8D x 33"7/8H - **65+04P+08P**

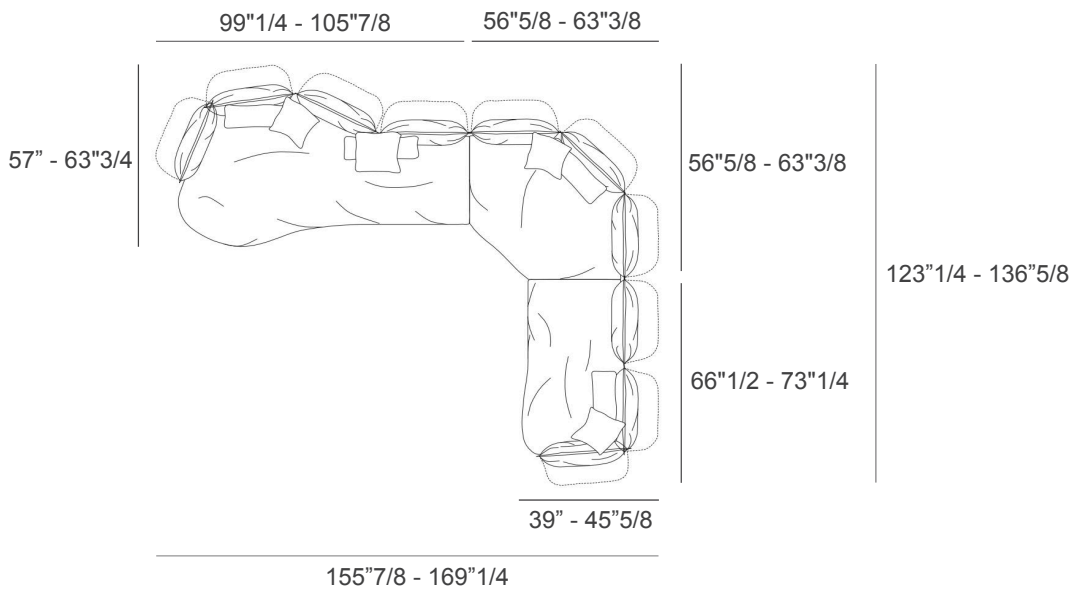
Seat height: 17"



A)



B)



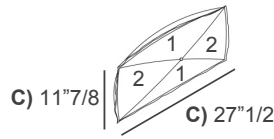
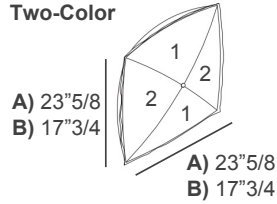
Nuvola

Optional decorative cushions

Two-Color:

- A) 23"5/8W x 23"5/8H - **Cod. C1**
- B) 17"3/4W x 17"3/4H - **Cod. C2**
- C) 27"1/2W x 11"7/8H - **Cod. C3**
- D) Ø19"5/8 - **Cod. CT**

Two-Color



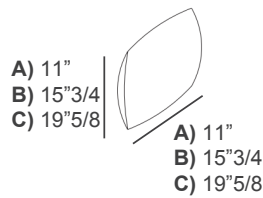
Please note:

The sections marked with the number 1 may be in one color, and the sections marked with the number 2 will be in a different color.

Knife-Edged:

- A) 11"W x 11"H - **Cod. C4**
- B) 15"3/4W x 15"3/4H - **Cod. C5**
- C) 19"5/8W x 19"5/8H - **Cod. C9**
- D) 27"1/2W x 11"7/8H - **Cod. 10**

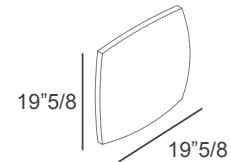
Knife-Edged



Knife-Edged



Box-Edged



Box-Edged:

- 19"5/8W x 19"5/8H - **Cod. C50**

Inner stitching reference

