

## Mezz'aria

Design: Daniele Lago



### Description

The Mezz'aria suspended chair reinterprets lightness through a bold and architectural design, highlighted by the cantilevered rear seat that creates a striking sense of suspension. The absence of rear supports and the dynamic inclination of the legs generate an airy, refined silhouette, turning the chair into a distinctive piece of designer furniture for contemporary interiors. Engineered to support loads of up to 180 kg and tested for long-term durability, it offers reliability without compromising its elegant form. Available with different finishes and leg options in metal or oak, the wooden seat version expresses a more essential and material-driven identity.

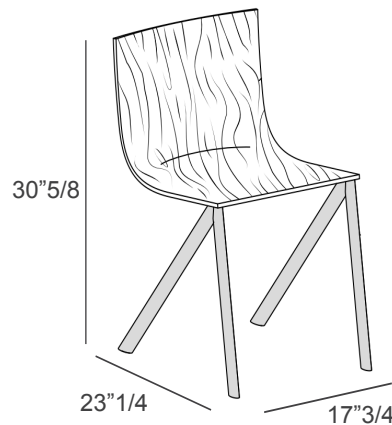
Made in Italy.

### Dimensions

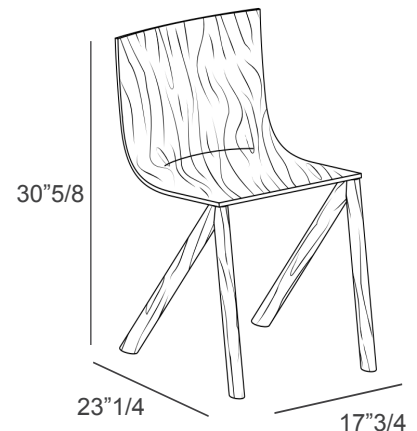
17"3/4W x 23"1/4D x 30"5/8H - Cod. SED330



Metal legs



Wooden legs



### Finishes & Materials

**Seat:** Wood.

**Structure:** Metal or Wood.

*\*Please note:* The metal structure version can be stacked up to four chairs high.