

Mezz'aria

Design: Daniele Lago



Description

The Mezz'aria suspended lounge chair expresses lightness and structure through a bold cantilevered design, where the seat appears to float effortlessly. The pronounced overhang, combined with the absence of rear supports and the inclined leg structure, creates a dynamic and refined visual effect. In this version, the wooden seat enhances the purity of the design, emphasizing essential lines and natural materiality, making it a distinctive piece of designer furniture.

The wooden seat and backrest highlight the craftsmanship and tactile quality of the material, offering a more essential and architectural interpretation of comfort. While maintaining a firm seating experience, the innovative suspended structure introduces a subtle flexibility that ensures a balanced and pleasant support. This version integrates seamlessly into sophisticated living room furniture sets, adding warmth and authenticity to contemporary spaces.

Available with different finishes and leg options in metal or oak, the wooden version allows for versatile customization across a range of interiors. Its minimalist yet expressive character makes it an ideal addition to curated luxury home furniture compositions, enhancing refined family room furniture environments with timeless Italian design and understated elegance.

Made in Italy.

Finishes & Materials

Seat: Wood.

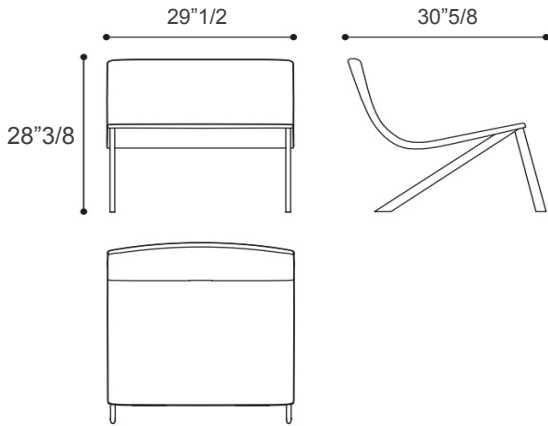
Structure: Metal or Wood.



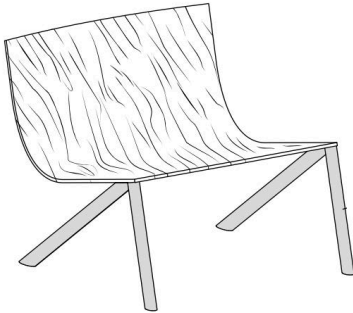
Mezz'aria

Dimensions

29"1/2W x 30"5/8D x 28"3/8H



Metal Legs



Wooden Legs

