

Bedrock 100+6

Design: Terry Dwan

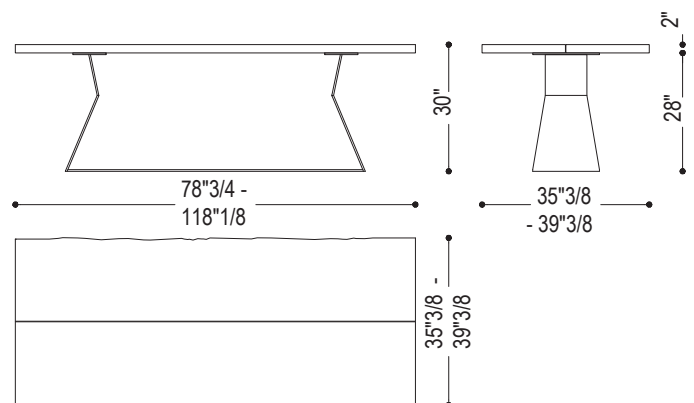


Description

The Bedrock 100+6 is a luxury dining table featuring a solid wood top and a dual-finish sheet metal base. The tabletop configuration is composed of two parallel planks with natural live edges separated by a prominent central longitudinal gap. Made in Italy.

Dimensions

Size A: 78"3/4W x 35"3/8D to 39"3/8D x 30"H
Size B: 86"5/8W x 35"3/8D to 39"3/8D x 30"H
Size C: 94"1/2W x 35"3/8D to 39"3/8D x 30"H
Size D: 102"3/8W x 35"3/8D to 39"3/8D x 30"H
Size E: 110"1/4W x 35"3/8D to 39"3/8D x 30"H
Size F: 118"1/8W x 35"3/8D to 39"3/8D x 30"H



Finishes and materials

Top: Solid Wood.
Base: Metal.