

## Newton Briccola

Design: C.R.&S. RIVA1920

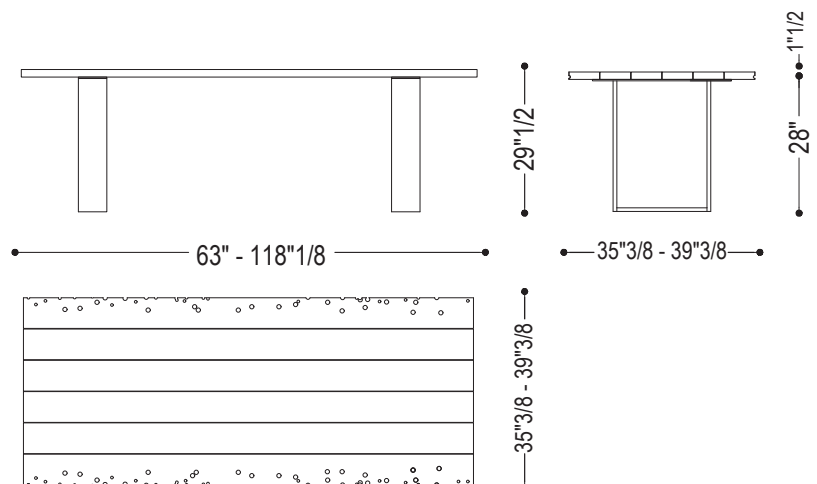


### Description

The Newton Briccola is a luxury dining table characterized by a top made of salvaged solid Briccola oak planks. The design features non-glued planks with natural, unrefined edges, showcasing the characteristic erosions caused by lagoon flora and fauna. The structure is supported by industrial iron legs. Made in Italy.

### Dimensions

**Size A:** 63"W x 35"3/8D x 29"1/2H  
**Size B:** 70"7/8W x 35"3/8D x 29"1/2H  
**Size C:** 78"3/4W x 39"3/8D x 29"1/2H  
**Size D:** 86"5/8W x 39"3/8D x 29"1/2H  
**Size E:** 94"1/2W x 39"3/8D x 29"1/2H  
**Size F:** 102"3/8W x 39"3/8D x 29"1/2H  
**Size G:** 110"1/4W x 39"3/8D x 29"1/2H  
**Size H:** 118"1/8W x 39"3/8D x 29"1/2H



### Finishes and materials

**Top:** Briccola reclaimed wood.

**Base:** Metal.