

Palma

Design: Ronald Sasson

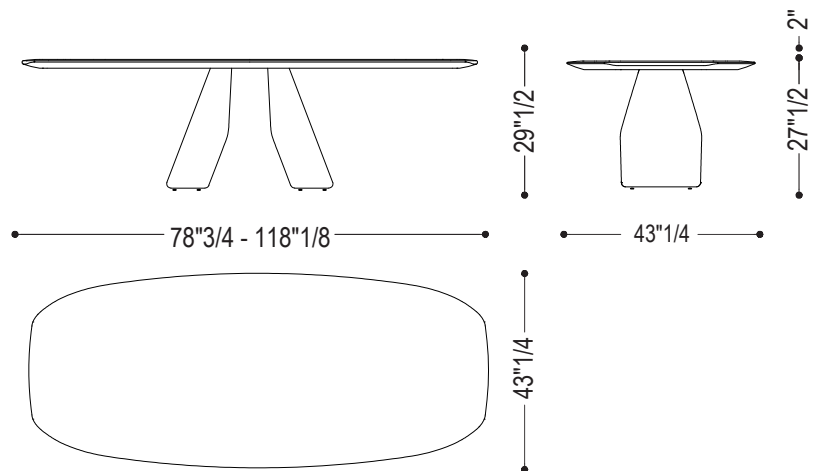


Description

The Palma is a luxury dining table featuring a 100% solid wood construction. The design is characterized by a stave-constructed top with rounded edges and a unique base consisting of two opposing sculptural volumes. These legs are engineered to provide total stability through a calculated balance of mass and orientation. Made in Italy.

Dimensions

Size A: 78"3/4W x 43"1/4D x 29"1/2H
Size B: 86"5/8W x 43"1/4D x 29"1/2H
Size C: 94"1/2W x 43"1/4D x 29"1/2H
Size D: 102"3/8W x 43"1/4D x 29"1/2H
Size E: 110"1/4W x 43"1/4D x 29"1/2H
Size F: 118"1/8W x 43"1/4D x 29"1/2H



Finishes and materials

Top & Base: Solid Wood.