

Wilma

Design: Terry Dwan



Description

The Wilma is a luxury lounge chair featuring a solid wood structure with a live-edge backrest. The design emphasizes the natural irregularity of the wood, paired with an ergonomically padded seat. Made in Italy.

Dimensions

With armrests: 24"3/4W x 28"1/8D x 26"3/4H

Without armrests: 26"3/4W x 28"1/8D x 26"3/4H

Seat height: 16"3/8

Finishes and materials

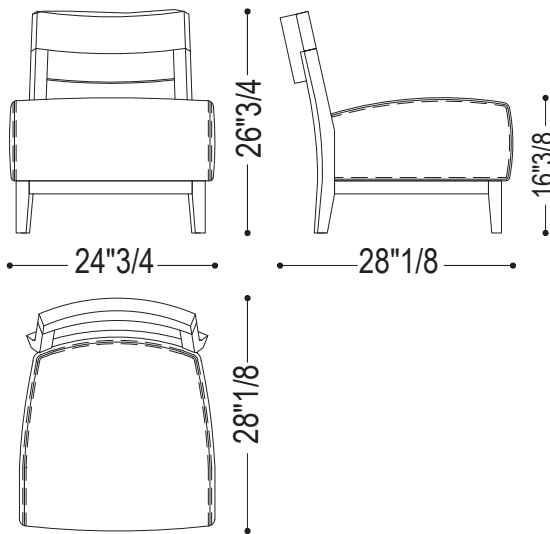
Structure: Solid wood.

Cover: Fabric or leather.

Wilma

Dimensions

Without armrests



With armrests

