

## Forbes

*Design: Mauro Lipparini*



### *Description*

Executive armchair with metal structure. Backrest and armrests padded with multi-density expanded polyurethane (CH30-28+40PH) covered with down proof white cotton lining, filled with 50% goose feathers and 50% (polyester fibers). Seat padded with multi-density expanded polyurethane (CH40-38+40PH) covered with down proof white cotton lining filled with 50% goose feathers and 50% polyester fibers. Springing in electro welded mesh. 5-spoke swivel base in varnished aluminum. Swivel self-breaking casters, fitted either with soft or hard tread. The armchair swivels a full 360 degrees and the seat can be height-adjusted. It is also supplied with a mechanism that allows back oscillation and inclination adjustments, lockable in various positions. Made in Italy.



\* For more specifications, please refer to the "Finishes & Materials" PDF

## Fast love

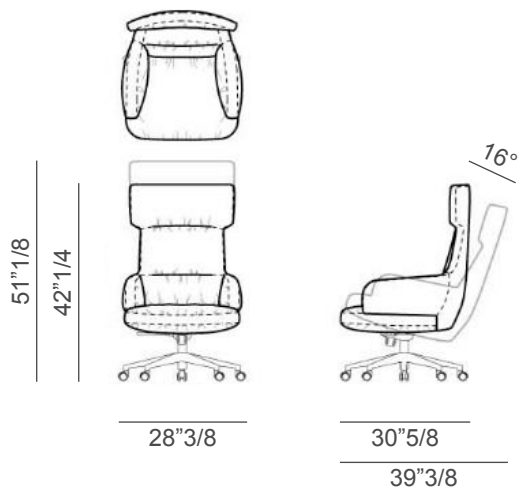
---

### Dimensions

28"3/8W x 30"5/8" - 39"3/8D x 42"1/4 - 51"1/8H

Seat height: 17"3/4 - 21"5/8

Armrest height: 24" - 28"



\* For more specifications, please refer to the "Finishes & Materials" PDF