

Punta Ala

Design: Mauro Lipparini



Description

Lounge chair with zinc-coated metal structure, with epoxy powder coating, plywood okumè springing and polypropylene weaving. Seat, backrest and armrest cushions in high resilient, waterproof, multi-density non-deformable polyurethane foam, with inner cover in breathable and waterproof polyester which improves protection from water and moisture. Backrest and armrest cushions have a weighted insert to increase stability. A draining version is available with open-cell expanded polyurethane DRYFELL S covered with 3D filter lining. Covers in outdoor fabrics as per collection or customer's own material. Made in Italy.

NOTE: The upholstery cannot be exposed to rain. We suggest using our protective covers made of breathable and waterproof polyester marine canvas, ideal to prevent mould formation.

* For more specifications, please refer to the "Finishes & Materials" PDF

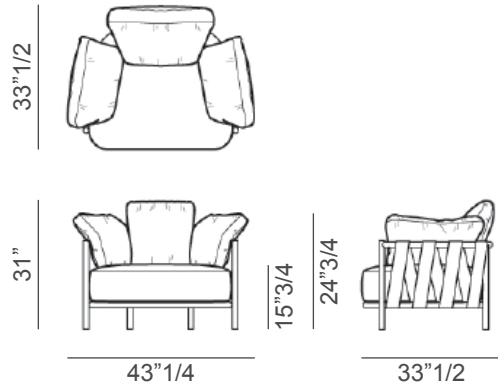
Punta Ala

Dimensions

43"1/4W x 33"1/2D x 31"H

Seat height: 15"3/4

Armrest height: 24"3/4



* For more specifications, please refer to the "Finishes & Materials" PDF