

## Archie

*Design: Buseti - Garuti - Redaelli*



### *Description*

Armchair with backrest structure in molded curved multilayer wooden panel, seat in E1 category multilayer wooden panel. Springing with mechanically pretensioned propylene fibers and latex elastic belts. Padded seat and backrest with non removable upholstery in fabric, leather or eco-leather. Legs available in solid wood. Made in Italy.



\* For more specifications, please refer to the "Finishes & Materials" PDF

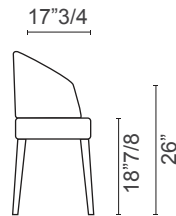
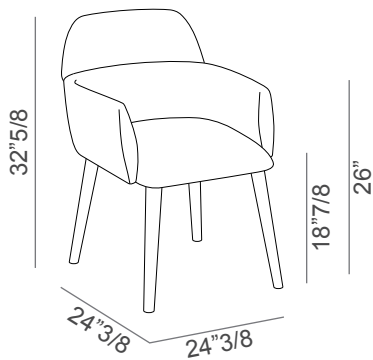
## Archie

### Dimensions

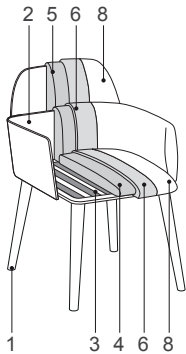
24"3/8W x 24"3/8D x 32"5/8H

Seat height: 18"7/8

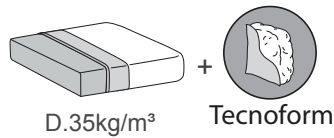
Armrest height: 26"



### Internal composition:



1. Legs
2. Structure
3. Springing
- 4,5,6. Padding
- 7,8. Upholstery



\* For more specifications, please refer to the "Finishes & Materials" PDF