

Arlott

Design: Gabriele & Oscar Buratti



Description

Sectional with structure in solid spruce and beech wood, in various thicknesses. Buffer side in E1 class plywood and particleboard panels; details in hard or cellulose wood fiber panels. The back is made of hard or cellulose wooden fiber panels. Seat with pre-tensioned crossed propylene fiber and latex elastic webbing. Padded seat cushions with memory foam and technoform, with removable covers in fabric and leather. Padded backrest cushions and structure, with removable covers in fabric and non-removable covers in leather. Chromed steel headrest mechanism, six positions adjustable with manual mechanism. Frontal bar available in metal or upholstered in leather. Also available in low version. Made in Italy.



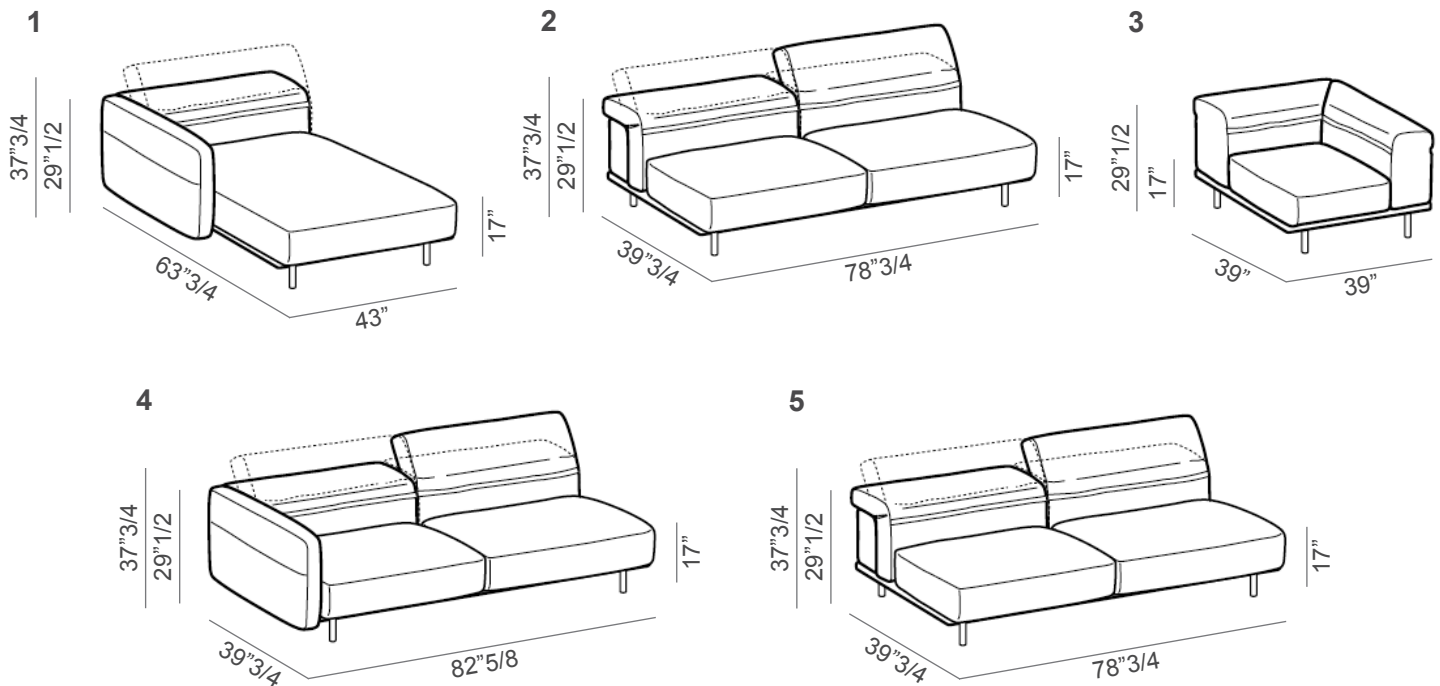
* For more specifications, please refer to the "Finishes & Materials" PDF

Arlott

Suggested compositions

Composition 1

200"3/8W x 160"5/4D x 29"1/2 - 37"3/4H



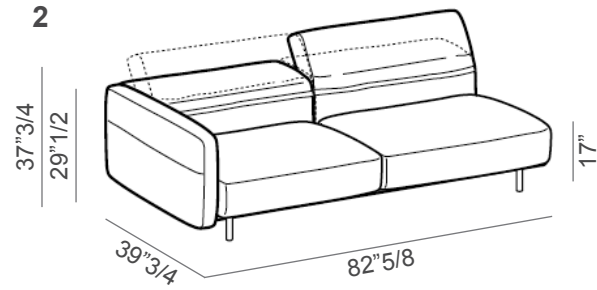
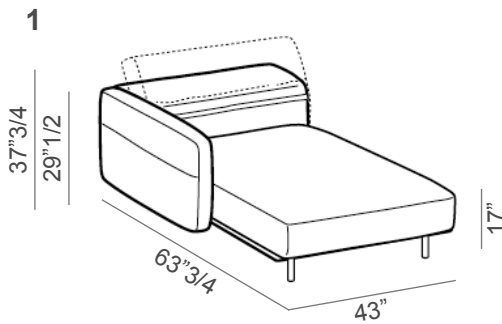
* For more specifications, please refer to the "Finishes & Materials" PDF

Arlott

Dimensions

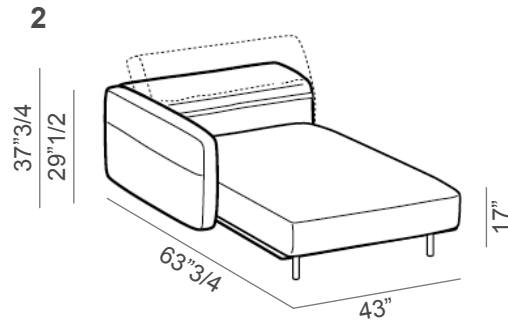
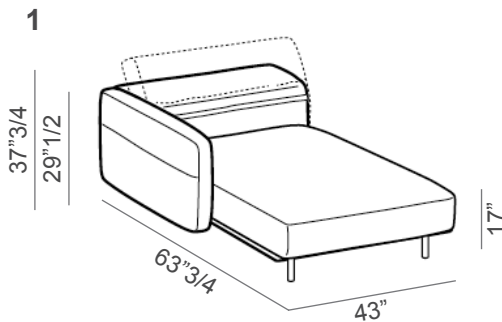
Composition 2

125"5/8W x 63"3/4D x 29"1/2 - 37"3/4H



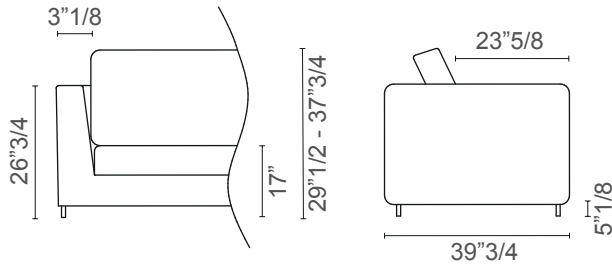
Composition 3

85"7/8W x 63"3/4D x 29"1/2 - 37"3/4H

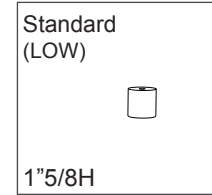
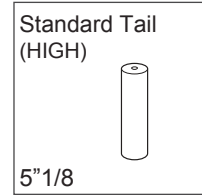


* For more specifications, please refer to the "Finishes & Materials" PDF

Arlott

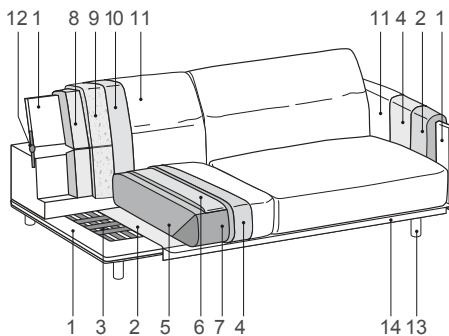


Feet

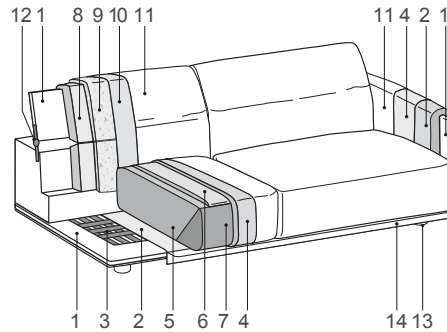


Internal composition

HIGH

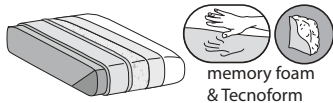


LOW



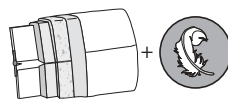
1. Wooden structure
3. Springing
- 2,4,5,6,7,8,9,10. Padding
11. Upholstery
12. Headrest mechanism
13. Feet
14. Frontal bar

Seat



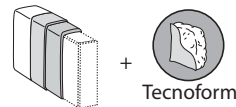
D.35/40kg/m³

Backrest



D.21kg/m³

Structure



Polyurethane foam



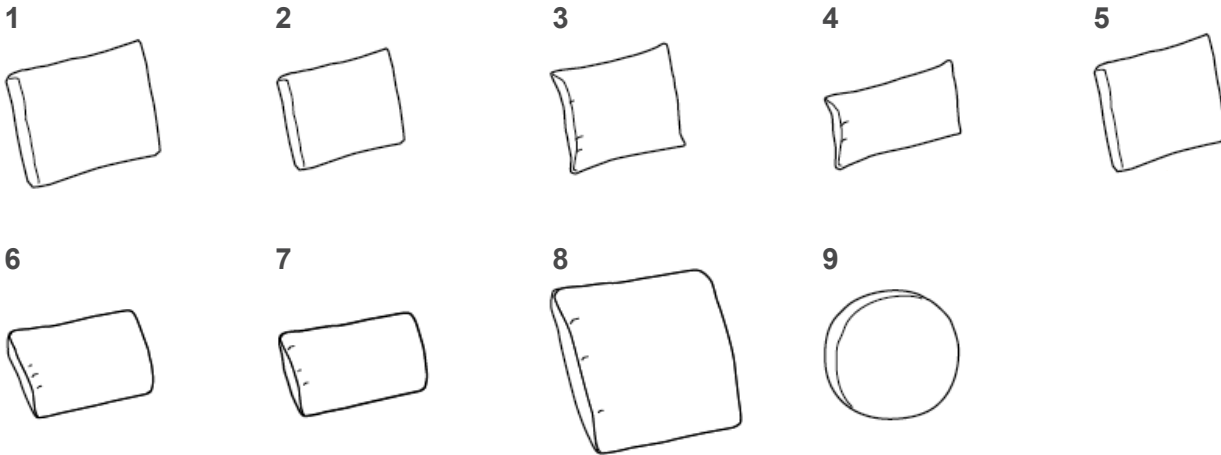
ECOSY padding in recycled polyester fibers is an alternative to down padding. Available on demand without surcharge.

* For more specifications, please refer to the "Finishes & Materials" PDF

Arlott

Decorative cushions (feather padding)

- 1: 21"5/8W x 5"7/8D x 21"5/8H
- 2: 17"3/4W x 5"7/8D x 17"3/4H
- 3: 17"3/4W x 5"7/8D x 13"3/4H
- 4: 19"5/8W x 5"7/8D x 19"5/8H
- 5: 17"3/4W x 5"7/8D x 14"1/8H
- 6: 18"7/8W x 5"7/8D x 18"7/8H
- 7: 23"5/8W x 5"7/8D x 11"7/8H
- 8: 23"5/8W x 5"7/8D x 23"5/8H
- 9: Ø19"5/8 x 5"7/8D



* For more specifications, please refer to the "Finishes & Materials" PDF