

## Billie

*Design: Dainelli Studio*



### Description

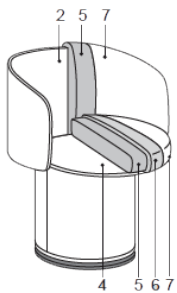
Swivel armchair with backrest in moulded curved plywood panel, seat in E1 category plywood panel. Seat in multilayer wood panel. Non removable covers in fabrics or leathers as per collection or customer's own material. Made in Italy.

### Dimensions

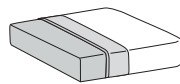
22"3/8W x 20"7/8D x 30"H

**Seat height:** 18"7/8

**Armrest height:** 26"3/8



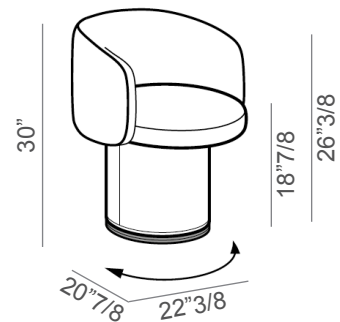
- 2. Structure
- 4, 5, 6. Padding
- 7. Upholstery



D.40kg/m<sup>3</sup>



Tecnoform



\* For more specifications, please refer to the "Finishes & Materials" PDF