

Claire

Design: Daniele Lo Scalzo Moscheri



Description

Dining table with base composed of a steel cone covered by four metal panels upholstered in recycled bonded leather. Round top in tempered glass. Metal feet. Various finishes available. Made in Italy.



* For more specifications, please refer to the "Finishes & Materials" PDF

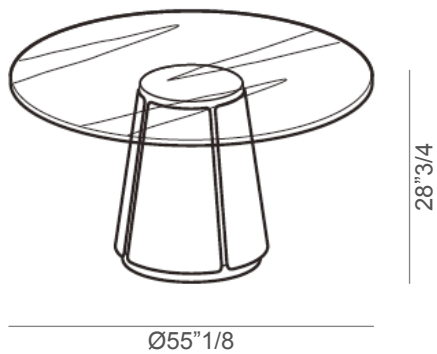
Claire

Dimensions

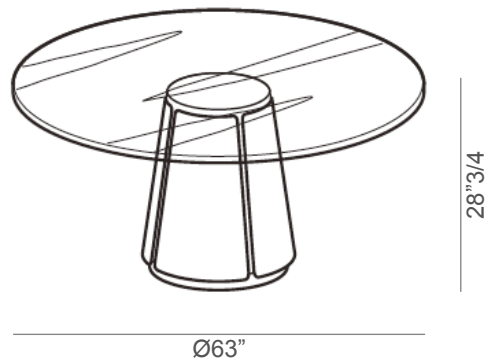
A: Ø55"1/8 x 28"3/4H

B: Ø63" x 28"3/4H

A



B



* For more specifications, please refer to the "Finishes & Materials" PDF