

Kris

Design: Design: Stefano Spessotto & Lorella Agnoletto



Description

Chaise lounge with structure in solid wood panels, plywood and laminated solid fir bearing various thicknesses. The backrest is made of plywood panels. The seat is supported by propylene and latex elastic belts. Padded structure with removable covers in fabric or non removable in eco-leather and leather. Seat, backrest and armrest cushions with removable covers in fabric, eco-leather and leather. Standard Bjorg feet. Epoque or UP feet are available as an optional. Elegance quilting on fabric or leather armrests is also available. Made in Italy.



* For more specifications, please refer to the "Finishes & Materials" PDF

Kris

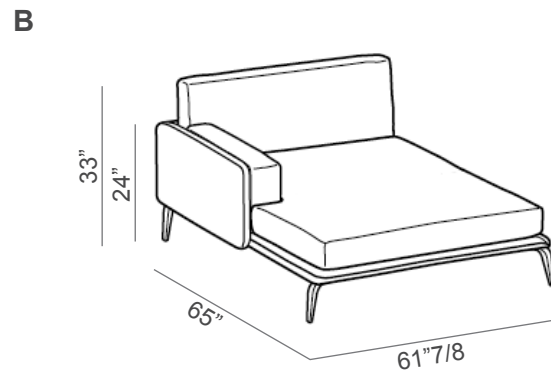
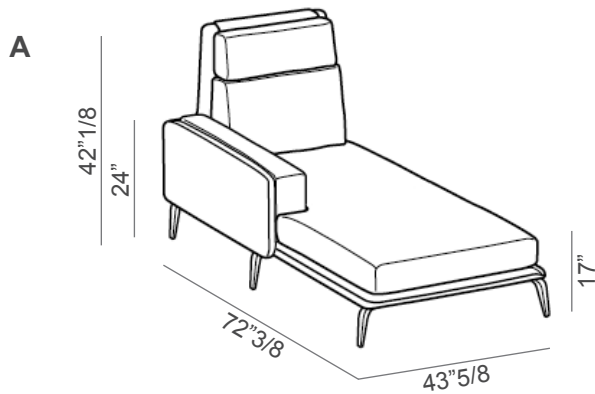
Dimensions

A: 43"5/8W x 72"3/8D x 42"1/8H

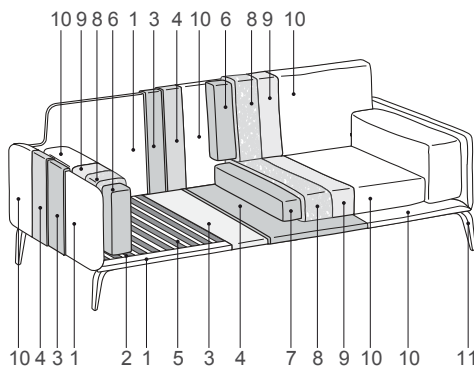
B: 61"7/8W x 65"D x 33"H

Seat height: 17"

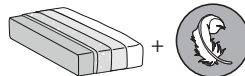
Armrest height: 24"



Internal composition

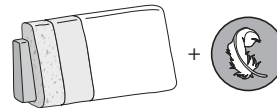


Seat



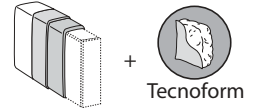
D.35kg/m³

Backrest



D.18kg/m³

Structure



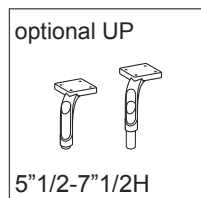
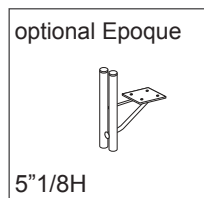
Polyurethane foam

- 1,2. Wooden structure
- 5. Springing
- 3,4,6,7,8,9. Padding
- 10. Upholstery
- 11. Feet

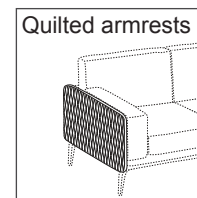


ECOSY padding in recycled polyester fibers is an alternative to down padding. Available on demand without surcharge.

Feet



Optional



* For more specifications, please refer to the "Finishes & Materials" PDF

Kris

Covers



Fabric cushions and structure



Fabric cushions, leather structure



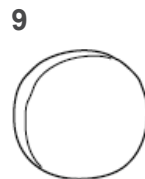
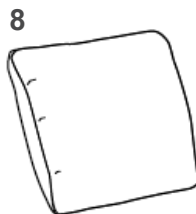
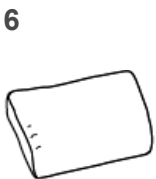
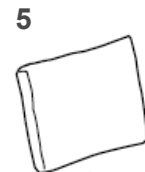
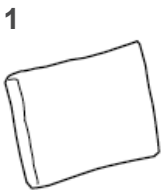
Leather cushions and structure



Fabric cushions and leather structure, with quilted armrests

Decorative cushions (feather padding)

- 1: 21"5/8W x 5"7/8D x 21"5/8H
- 2: 17"3/4W x 5"7/8D x 17"3/4H
- 3: 17"3/4W x 5"7/8D x 13"3/4H
- 4: 19"5/8W x 5"7/8D x 19"5/8H
- 5: 17"3/4W x 5"7/8D x 14"1/8H
- 6: 18"7/8W x 5"7/8D x 18"7/8H
- 7: 23"5/8W x 5"7/8D x 11"7/8H
- 8: 23"5/8W x 5"7/8D x 23"5/8H
- 9: Ø19"5/8 x 5"7/8D



* For more specifications, please refer to the "Finishes & Materials" PDF