

Krisby

Design: Stefano Spessotto



Description

Sectional with structure in solid wood panels, plywood and laminated solid fir bearing various thicknesses. The backrests are made of multilayered wood or E1 class wood particleboard panels and available in two heights. Seats with pre-tensioned crossed propylene fibers and latex elastic webbing. Padded structure with removable covers in fabric or non removable in eco-leather and leather. Seat and backrest cushions with removable covers in fabric, eco-leather and leather. A mix version with leather structure and fabric cushions is also available. Metal feet. Decorative cushions and quilted armrests are available on demand. Made in Italy.



* For more specifications, please refer to the "Finishes & Materials" PDF

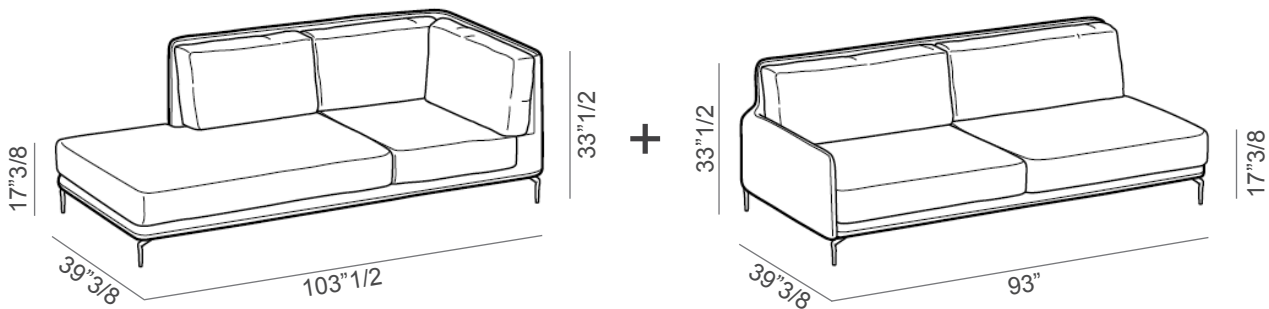
Krisby

Suggested compositions



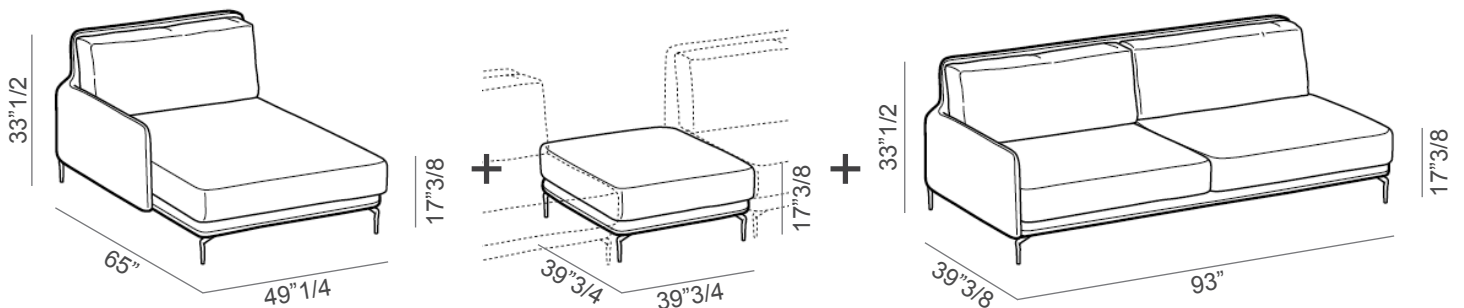
Composition 1

132"1/4W x 103"1/2D x 33"1/2H



Composition 2

181"7/8W x 65"D x 33"1/2H



* For more specifications, please refer to the "Finishes & Materials" PDF

Krisby

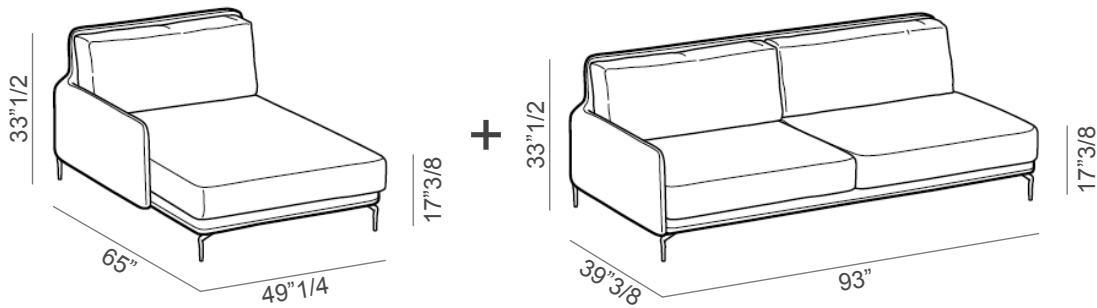
Suggested compositions



3

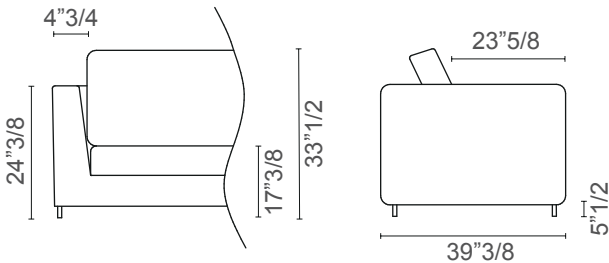
Composition 3

142"1/8W x 65"D x 33"1/2H

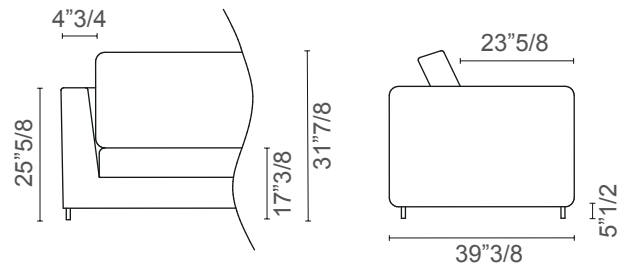


Versions

HIGH



LOW

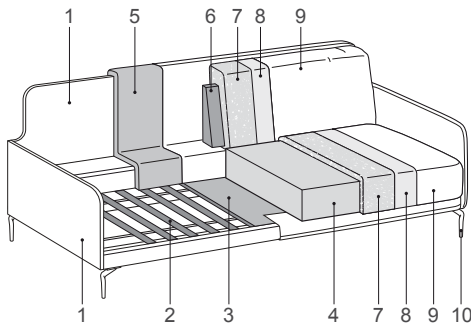


* For more specifications, please refer to the "Finishes & Materials" PDF

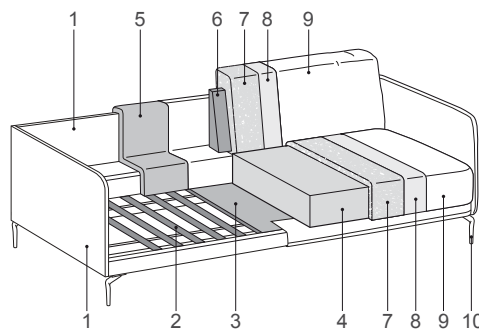
Krisby

Internal composition

HIGH

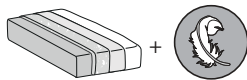


LOW



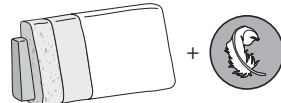
1. Wooden structure
2. Springing
- 4,5,6,7,8. Padding
9. Upholstery
10. Feet

Seat



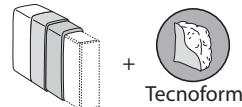
D.35kg/m³

Backrest



D.21kg/m³

Structure



Polyurethane foam



ECOSY padding in recycled polyester fibers is an alternative to down padding. Available on demand without surcharge.

Feet

standard TAG



5"1/2H

optional UP



5"1/2-7"1/2H

optional Bjorg

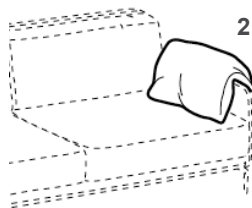
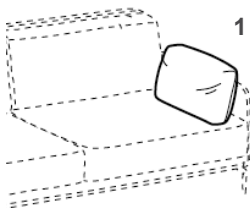


5"1/8H

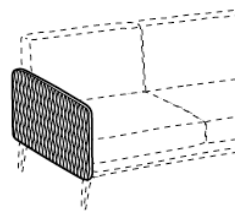
Decorative cushions

1: 21"5/8W x 4"D x 11"7/8H

2: 21"5/8W x 4"D x 21"5/8H



Quilted or leather armrests



* For more specifications, please refer to the "Finishes & Materials" PDF