

Papilo

Design: Stefano Spessotto



Description

Sofa with structure in solid spruce and beech wood supports in various thicknesses. Base panels in E1 class plywood panels; details in hard or cellulose wood fiber panels. Seat with pre-tensioned crossed propylene fibers and latex elastic webbing. Detached low-cut backrest cushions in polystyrene chips mixed with polyester fiber batting and light metal weight. Removable covers available in fabrics as per collection or customer's fabric. Geometrical feet available in wood and in transparent methacrylate. Made in Italy.

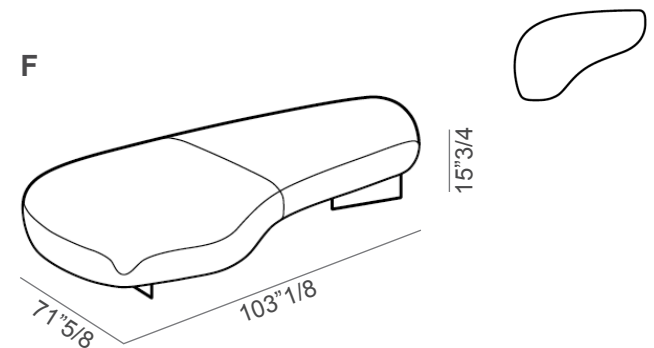
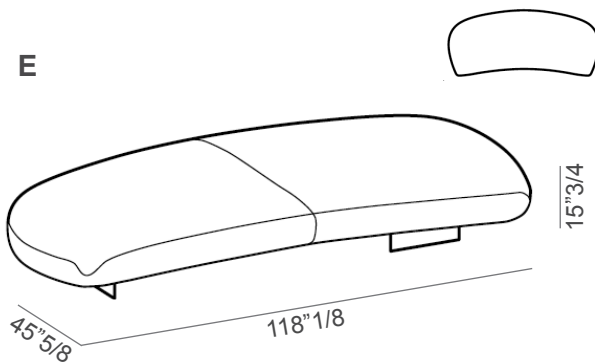
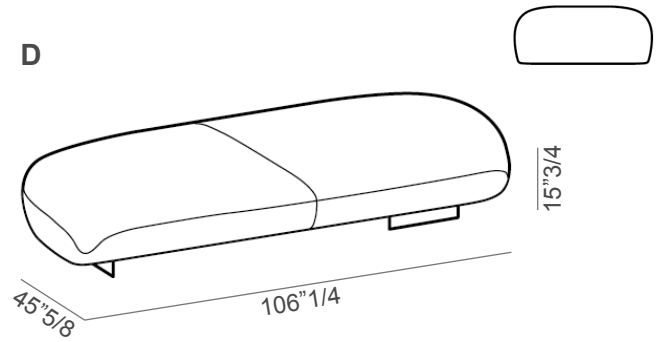
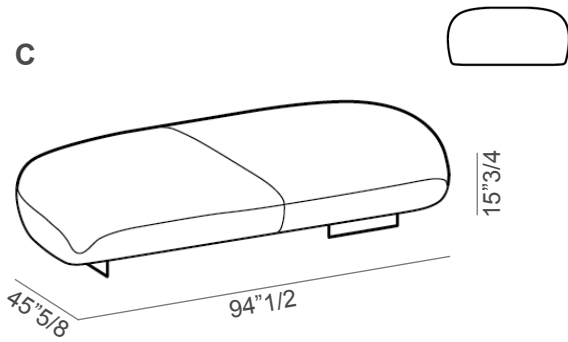
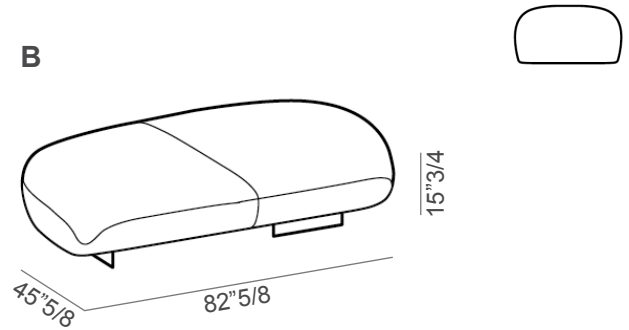
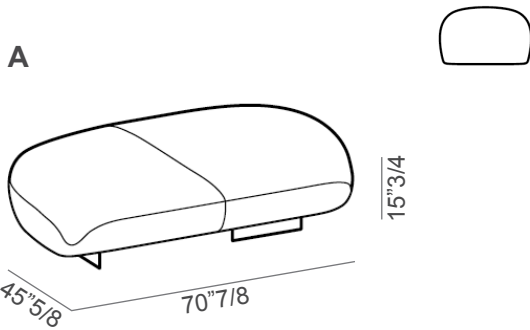
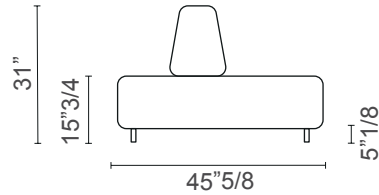


* For more specifications, please refer to the "Finishes & Materials" PDF

Papilo

Seat dimensions

- A: 70"7/8W x 45"5/8D x 15"3/4H
- B: 82"5/8W x 45"5/8D x 15"3/4H
- C: 94"1/2W x 45"5/8D x 15"3/4H
- D: 106"1/4W x 45"5/8D x 15"3/4H
- E: 118"1/8W x 45"5/8D x 15"3/4H
- F: 103"1/8W x 71"5/8D x 15"3/4H

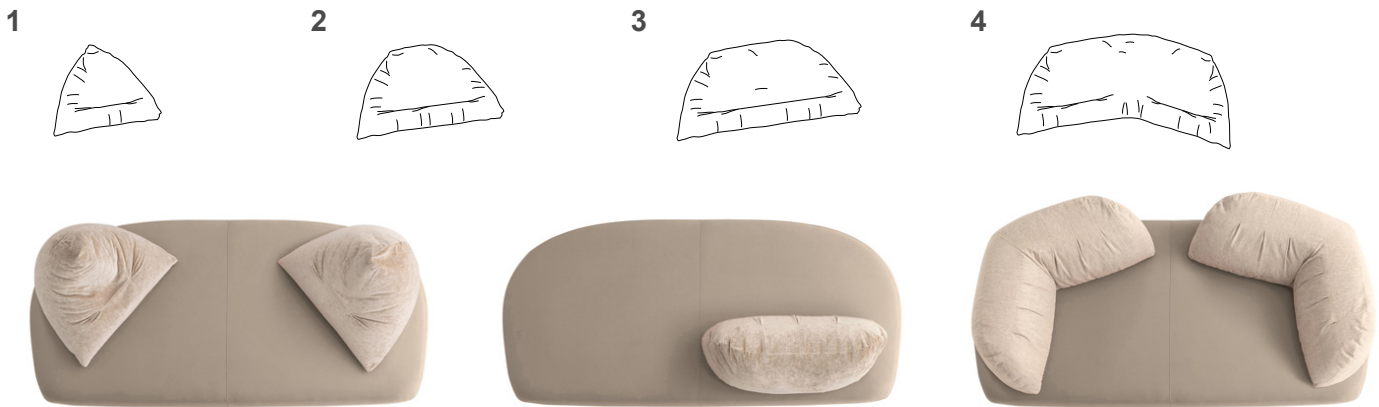


* For more specifications, please refer to the "Finishes & Materials" PDF

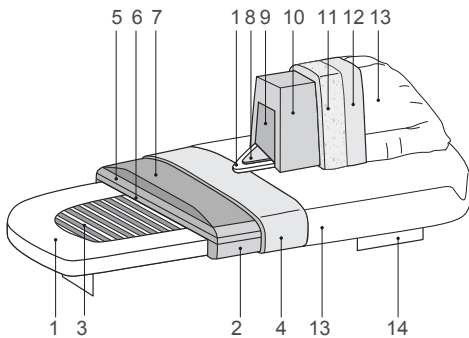
Papilo

Backrest dimensions

- 1: 29"1/2W x 24"3/8D x 15"3/4H
- 2: 37"W x 24"3/8D x 15"3/4H
- 3: 40"1/2W x 17"3/8D x 15"3/8H
- 4: 48"7/8W x 28"3/8D x 15"3/8H

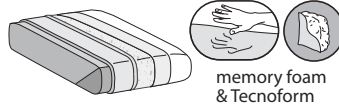


Internal composition



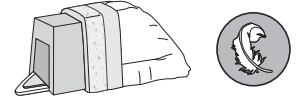
- 1. Wooden structure
- 3. Springing
- 2,4,5,6,7,8,9,10,11,12. Padding
- 13. Upholstery
- 14. Feet

Seat



D.35/40kg/m³

Backrest

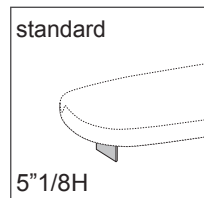


D.40/21kg/m³ + metal weight

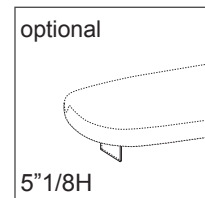


ECOSY padding in recycled polyester fibers is an alternative to down padding. Available on demand without surcharge.

Feet:



Wood



Transparent methacrylate

* For more specifications, please refer to the "Finishes & Materials" PDF