

Round

Design: Edi & Paolo Ciani



Description

Lounge chair with internal structure made of steel and cold foamed polyurethane. Padded seat cushion, with removable covers in fabrics and leathers as per collection. Structure available in fabric or leather, with non removable covers. A mix version with external shell in leather .and internal seat and backrest in fabric is also available. Three base versions available: four legged base in solid wood, four-spoke swivel base in painted metal and four legged base in painted metal. Made in Italy.



* For more specifications, please refer to the "Finishes & Materials" PDF

Round

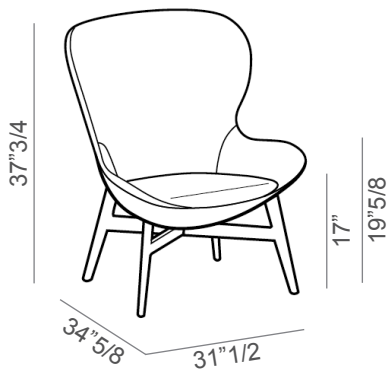
Dimensions

31"1/2W x 34"5/8D x 37"3/4H

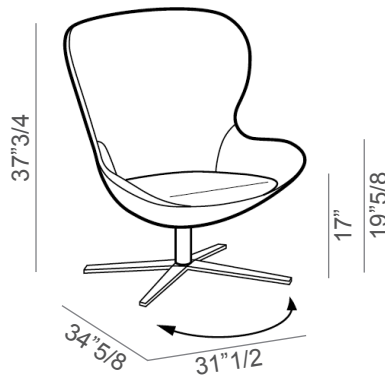
Seat height: 17"

Armrest height: 19"5/8

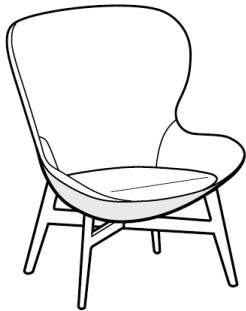
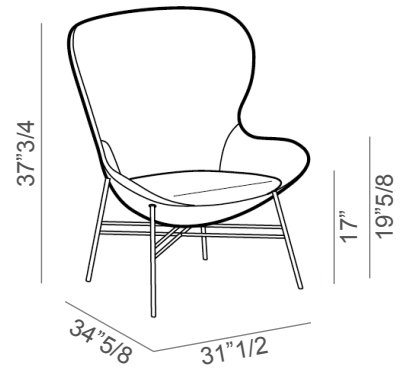
Wooden base



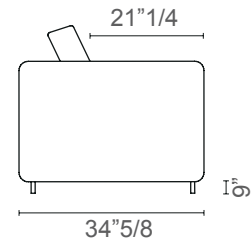
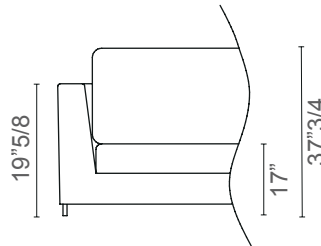
Swivel base



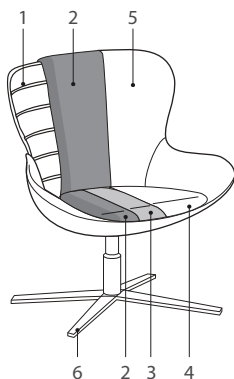
Metal base



Mix version
With external shell in leather

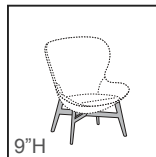


Internal composition:



1. Steel structure
- 2,3. Padding
- 4,5. Upholstery
6. Base

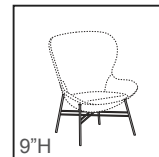
Wood



Swivel



Iron



* For more specifications, please refer to the "Finishes & Materials" PDF