

## Skin

*Design: Daniele Lo Scalzo Moscheri*



### *Description*

Double bed with headboard structure in curved plywood, base frame and footboard in class E1 plywood panels. Padded headboard and base frame, and upholstered with fabric or leather. The base is also available in wood, without any upholstery. The mattress sits flush with the bed frame. Made in Italy.



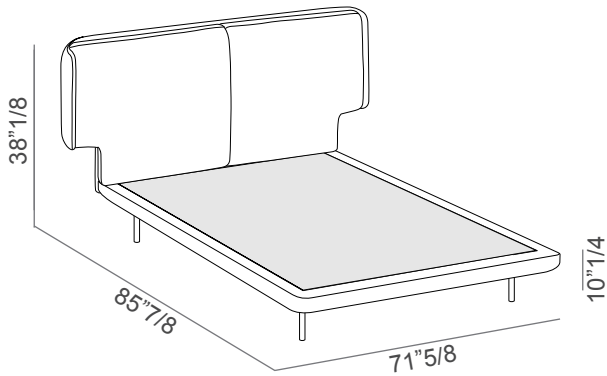
\* For more specifications, please refer to the "Finishes & Materials" PDF

## Skin

### Dimensions

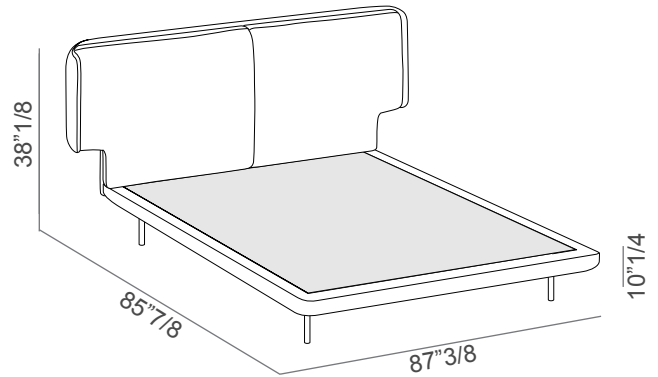
#### Queen Size

71"5/8W x 85"7/8D x 38"1/8H  
(To fit American Queen Size mattress: 60" x 80")

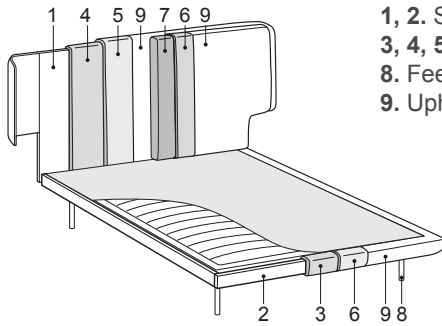


#### King Size

87"3/8W x 85"7/8D x 38"1/8H  
(To fit American King Size mattress: 76" x 80")

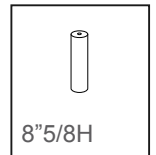


### Internal composition:



- 1, 2. Structure
- 3, 4, 5, 6, 7. Padding
- 8. Feet
- 9. Upholstery

### Metal feet:



		Headboard	Base	Cushions
Upholstery	Removable			
	Non removable		-	-
Padding		+ D.30kg/m <sup>3</sup>	+ D.30kg/m <sup>3</sup>	+ D.21kg/m <sup>3</sup>

\* For more specifications, please refer to the "Finishes & Materials" PDF