

Softy

Design: Daniele Lo Scalzo Moscheri



Description

Lounge chair with internal structure made of steel and cold foamed polyurethane. Padded and quilted seat and backrest cushion, with removable covers in fabrics as per collection. External shell available in fabric or leather, with non removable covers. Three versions available: with four legged base in solid wood, with four-spoke swivel base in painted metal and with four legged base in painted metal. Made in Italy.



* For more specifications, please refer to the "Finishes & Materials" PDF

Softy

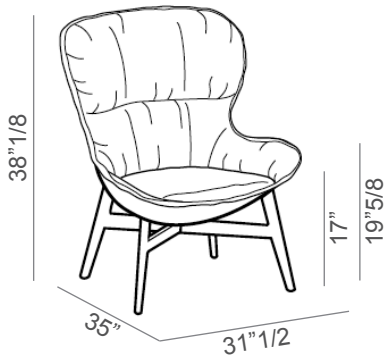
Dimensions

31"1/2W x 35"D x 38"1/8H

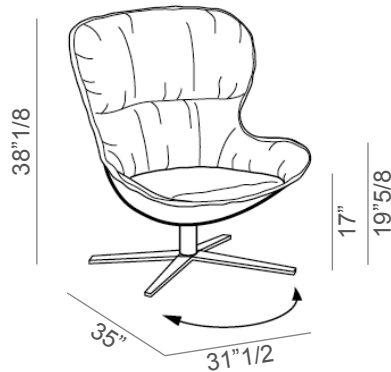
Seat height: 17"

Armrest height: 19"5/8

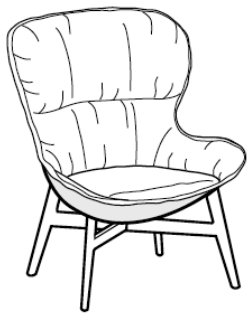
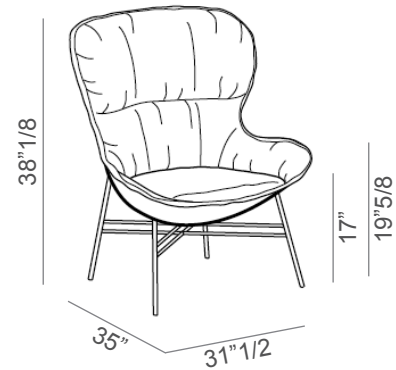
Wooden legs



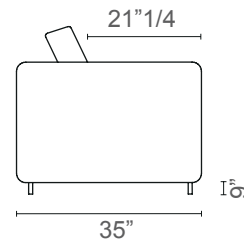
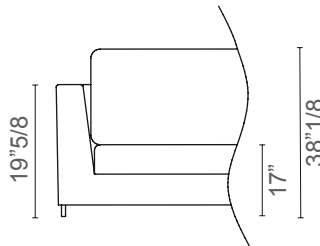
Swivel base



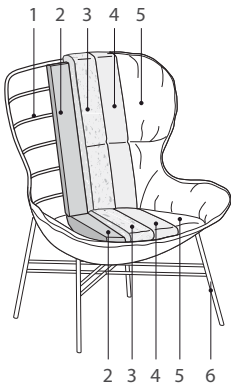
Metal legs



Mix version
With external
shell in leather

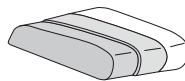


Internal composition:



1. Steel structure
- 2,3,4. Padding
5. Upholstery
6. Legs/base

Seat



D.30kg/m³

Backrest



Quilted



ECOSY padding in recycled polyester fibers is an alternative to down padding. Available on demand without surcharge.

* For more specifications, please refer to the "Finishes & Materials" PDF