

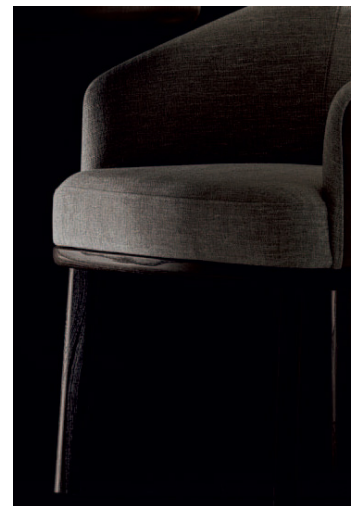
St. Tropez

Design: Daniele Lo Scalzo Moscheri



Description

Armchair with backrest structure in molded curved multilayer wooden panel, seat in E1 category multilayer wooden panel. Springing with mechanically pretensioned propylene fibers and latex elastic belts. Padded seat and backrest with non removable upholstery in fabric, leather or eco-leather. A mix version with external backrest in leather and seat and internal backrest in fabric is also available. Four legged base in solid wood. Made in Italy.



* For more specifications, please refer to the "Finishes & Materials" PDF

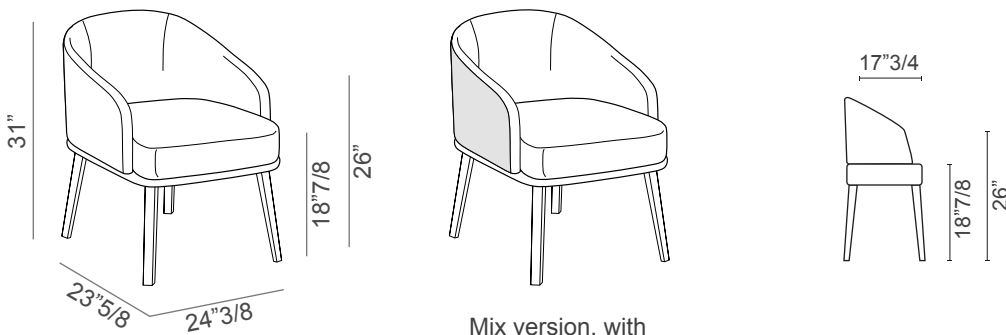
St. Tropez

Dimensions

24"3/8W x 23"5/8D x 31"H

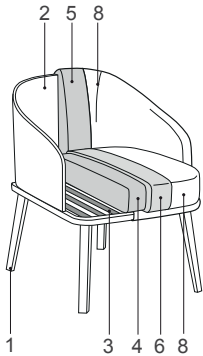
Seat height: 18"7/8

Armrest height: 26"

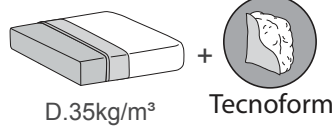


Mix version, with external backrest in leather

Internal composition:



- 1. Legs
- 2. Structure
- 3. Springing
- 4,5,6. Padding
- 8. Upholstery



* For more specifications, please refer to the "Finishes & Materials" PDF