

Annette

Design: Centro Ricerche Giorgetti



Description

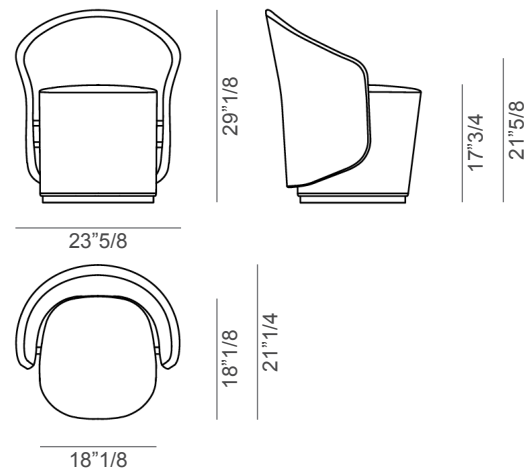
Armchair with structure in metal and polyurethane foam in different densities. With a curved backrest for better comfort, Annette is available completely covered in fabric or leather or with an outer backrest in leather and an inner backrest and seat in fabric or in the same materials as the Flamingo Game Table. Plinth base in ash wood. Made in Italy.

Dimensions

23"5/8W x 21"1/4D x 29"1/8H

Seat height: 17"3/4

Armrest height: 21"5/8



* For more specifications, please refer to the "Finishes & Materials" PDF