

## Inca

*Design: Valerio Sommella*

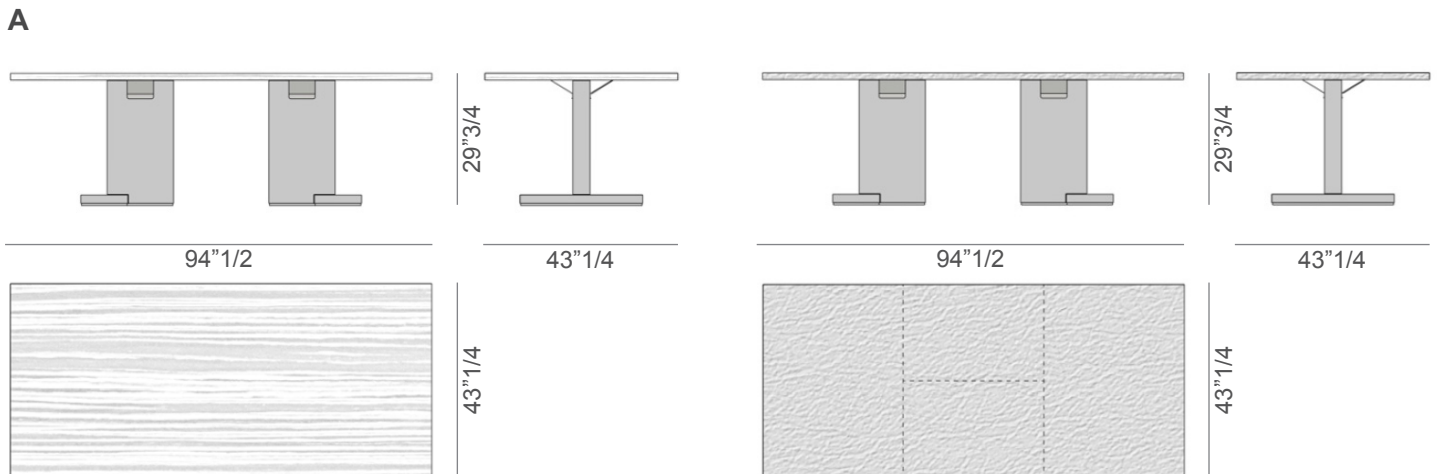


### Description

Conference table with rectangular or round top in veneered wood, melamine coated panel, saddle leather or leather. One or two lacquered legs. Made in Italy.

### Dimensions

**A:** 94"1/2W x 43"1/4D x 29"3/4H  
(MORE SIZES ON NEXT PAGE)



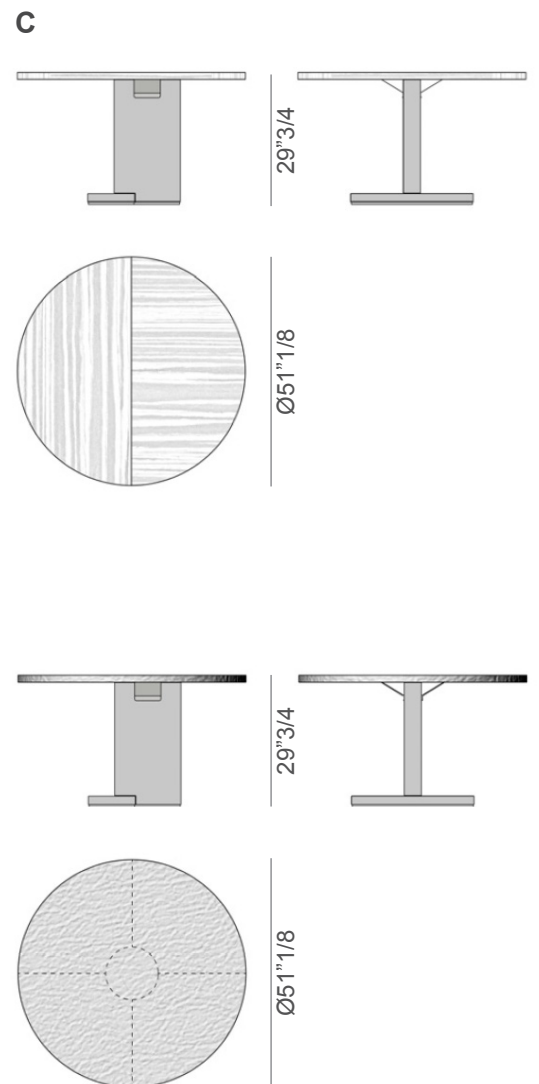
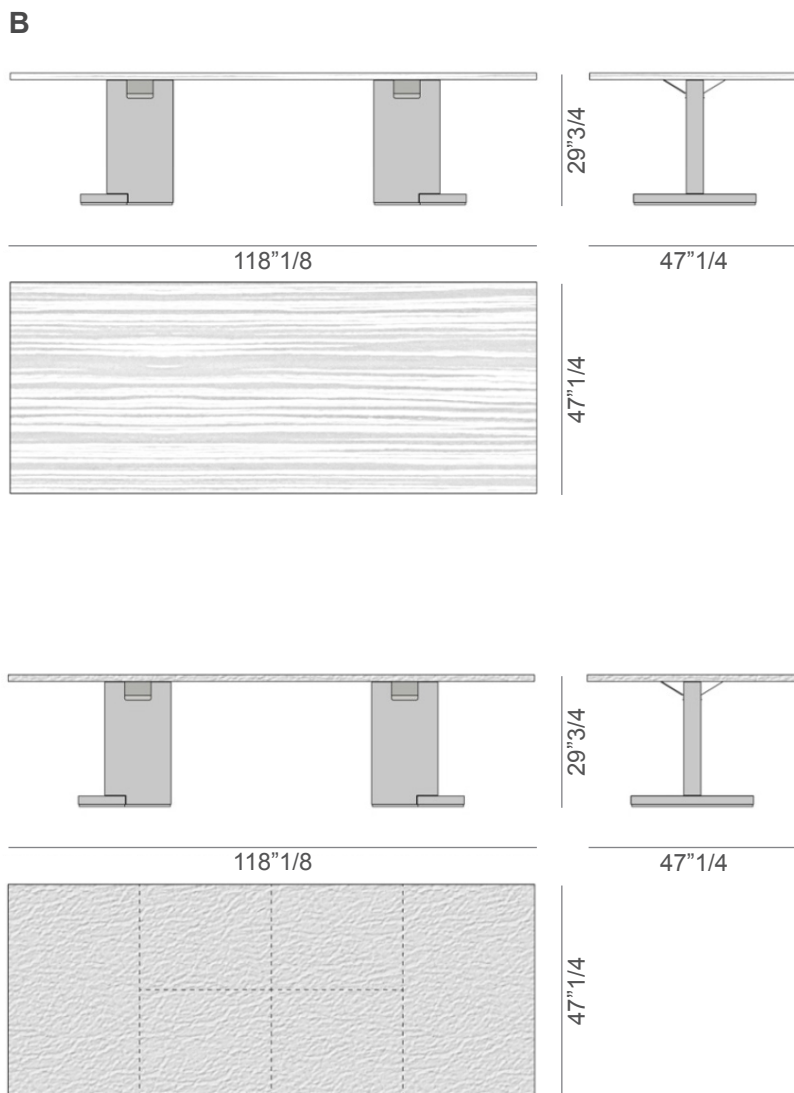
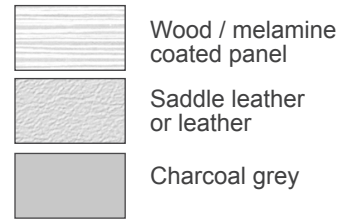
\* For more specifications, please refer to the "Finishes & Materials" PDF

## Inca

### Dimensions

**B:** 118"1/8W x 43"1/4D x 29"3/4H

**C:** Ø51"1/8 x 29"3/4H



\* For more specifications, please refer to the "Finishes & Materials" PDF