

Double L

Design: Chiara Andreatti



Description

Side table with base composed of two epoxy powder coated steel sheets with black embossed finish, connected by a bronzed brass rod. Round top in marbles as per collection. Made in Italy.

Finishes & Materials

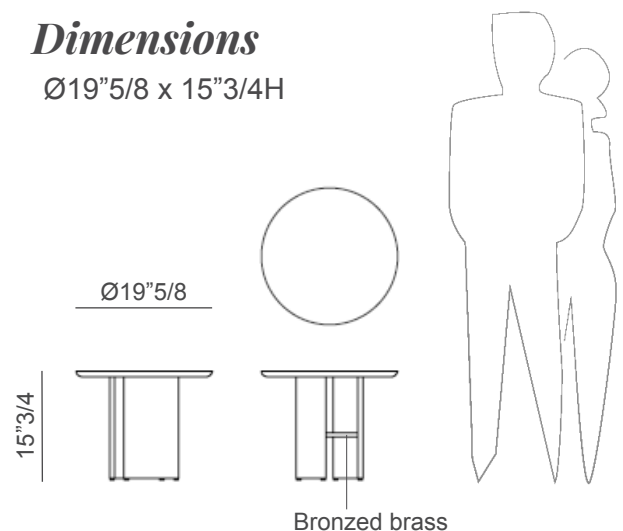
Base: Epoxy powder coated steel sheets with black embossed finish.

Base detail: Bronzed brass.

Top: Matt or glossy White Carrara, Dark Emperador, Iron Silver, Grigio Carnico or Nero Marquinia marble.

Dimensions

Ø19"5/8 x 15"3/4H



* For more specifications, please refer to the "Finishes & Materials" PDF