

Landmark



Description

Coffee table inspired by classical architecture, recalling the forms of columns and pedestals that characterized the great monumental works of antiquity. It features a bronzed brass metal structure and it stands out for the innovative top made in different partitions available in different options:

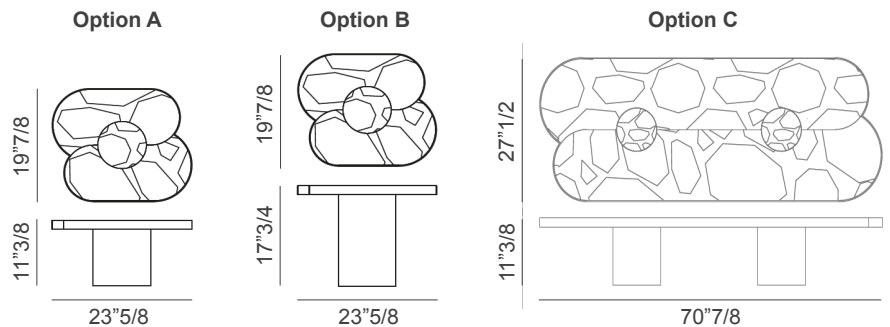
- . Decoro decorated painted wood (single top without partition).
- . Calacatta gold + Guatemala green marble.
- . Travertino silver + Travertino romano + Travertino rosso.

Different marble finishing/combinations can be chosen upon request.

Made in Italy.

Dimensions

- A) 23"7/8W x 19"7/8D x 11"3/8H
 B) 23"7/8W x 19"7/8D x 17"3/4H
 C) 70"7/8W x 27"1/2D x 11"3/8H



* For more specifications, please refer to the "Finishes & Materials" PDF