

Bugia

Design: Andrea Tosetto



Description

Ceiling lamp with metal structure and plexiglass diffuser available in four different finishes. Three different sizes: Single, Double or Triple. Mounts to a 4" Standard J-Box. LED with direct power supply to the AC line voltage (driver not required). Dimmable with phase cut dimmer. LED included. Made in Italy.

Light Source

Single: LED 3000K • 17W | 1800 lm • 120V • CRI 90 • MacAdam 3-Step.

Double: LED 3000K • 2x17W | 2600 lm • 120V • CRI 90 • MacAdam 3-Step.

Triple: LED 3000K • 3x17W | 5400 lm • 120V • CRI 90 • MacAdam 3-Step

Dimensions

Single: Ø9"3/8 x 2"H

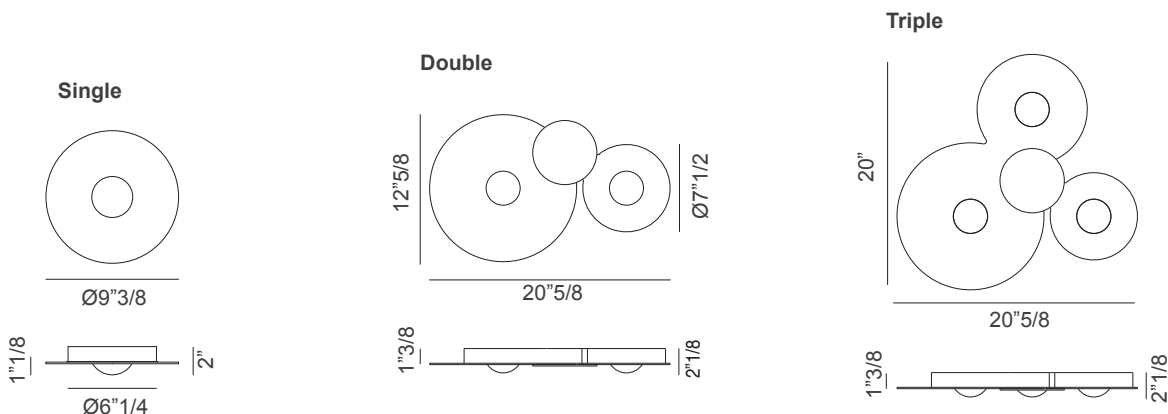
Double: 20"5/8W x 12"5/8D x 2"1/8H

Triple: 20"5/8W x 20"D x 2"1/8H

Finishes and materials

Structure: Matt white metal.

Diffuser: White, gold, chrome or glossy copper plexiglass.



(For more specifications, please refer to "Finishes & Materials")