

Amon

Design: Roberto Garbugli



Description

Planter with internal structure in galvanized sheet. Outer structure in black or white lacquered glass, or in standard, smoked or bronze mirror. Fixing system with screws, available in stainless steel or brass finish. Optional LED lighting system for the top glass section. Made in Italy.

Finishes & Materials

Structure: Black or white lacquered glass, standard mirror, smoked or bronze mirror.

Screws: Stainless steel or brass finish.

Top glass: Transparent.



* For more specifications, please refer to the "Finishes & Materials" PDF

Amon

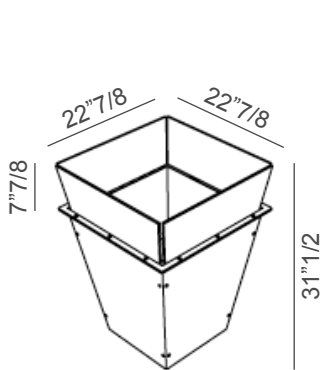
Dimensions

A: 22"7/8W x 22"7/8D x 31"1/2H

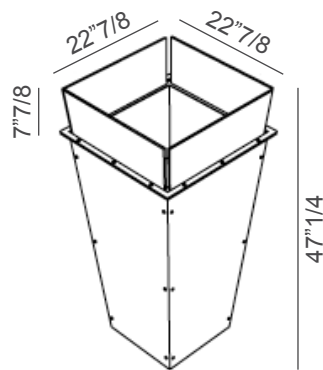
B: 22"7/8W x 22"7/8D x 47"1/4H

C: 22"7/8W x 22"7/8D x 63"H

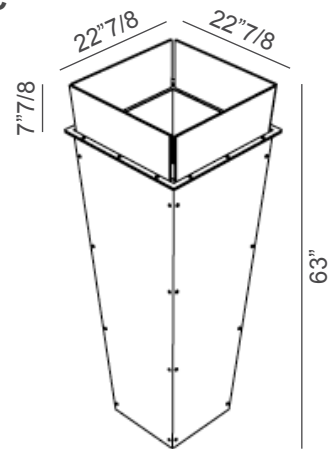
A



B



C



* For more specifications, please refer to the "Finishes & Materials" PDF