

## Il paese delle meraviglie

*Design: Paolo Lomazzi*



### *Description*

Collection of side tables defined by the new working process and the material used: a mix of glass fragments. Two elements, a cone and a sphere shaped through moulds and differently juxtaposed to glass discs, give life to 6 different models also distinguished by several colors. Each piece, poured and finished by hand, creates a unique and exclusive product. Made in Italy.

### *Finishes & Materials*

**Glass discs:** 3/8" thick extra clear or smoked glass.

**Cones & spheres:** Mix of glass fragments in neutral and colored glass.



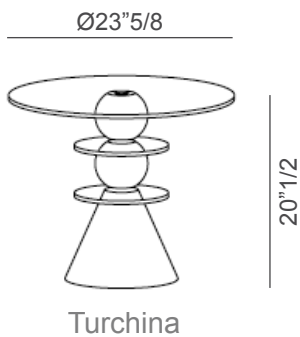
\* For more specifications, please refer to the "Finishes & Materials" PDF

## Il paese delle meraviglie

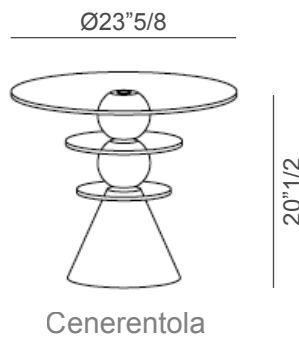
### Dimensions

- A: Ø23"5/8 x 20"1/2H
- B: Ø23"5/8 x 20"1/2H
- C: Ø23"5/8 x 15"H
- D: Ø19"5/8 x 20"1/2H
- E: Ø19"5/8 x 24"3/8H
- F: Ø23"5/8 x 10"5/8H

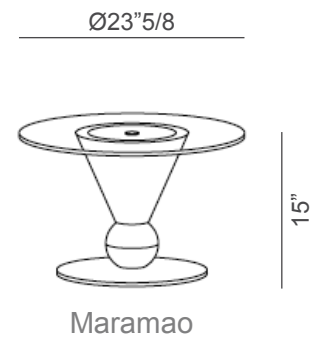
A



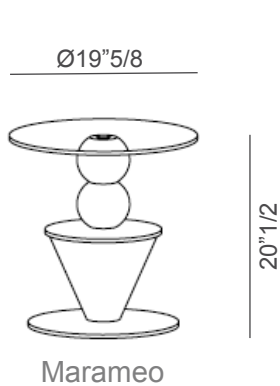
B



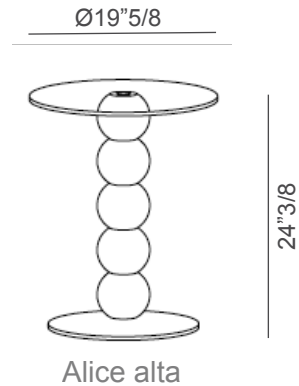
C



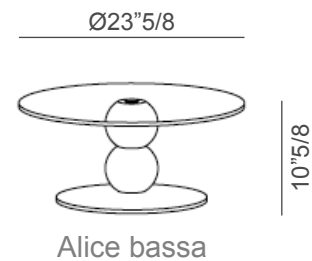
D



E



F



\* For more specifications, please refer to the "Finishes & Materials" PDF